



# CATALOGUE SEASON 2014

**RIDE  
YOUR  
LIFE**



**BICYCLES**  
TWO THOUSAND FOURTEEN



We are devoted to **our bikes.**





# We at **KELLYS BICYCLES** **LOVE OUR PRODUCTS**

We develop them with the best of intentions, incorporating the world's best technical innovations and joining them together. Our goal is to create for you an exceptional bike on which you'll experience the ride of your life.



**Slavomir Ozanik**  
*Head of Design / Research & Development*

**RIDE  
YOUR  
LIFE**



©KELLYS BICYCLES. All rights reserved.



SERIES

# FULL SUSPENSION

012  
021

SERIES

# HARDTAIL

022  
051

SERIES

# DIRT

052  
055

SERIES

# KICK WOMEN

056  
061

SERIES

# ROAD

062  
069

SERIES

# FITNESS

070  
073



# CATALOGUE CONTENT



SERIES

CROSS

SERIES

TOUR

SERIES

JUNIOR

074  
097

098  
108

109  
113

## 006 011 | TECHSIGNATION

## 012 021 | FULLSUSPENSION

REYON 50 / REYON 30 / REYON 10 / TYKE 50 / TYKE 30 / TYKE 10 / SWAG 50 / SWAG 30 / SWAG 10 / WANDAL 50 / WANDAL 30 / WANDAL 10

## 022 051 | HARDTAIL

TNT 90 / TNT 70 / TNT 50 / TNT 30 / TNT 20 / TNT 10 / TNT 05 WHITE / TNT 05 TITANIUM / HACKER 90 / HACKER 50 / HACKER 30 / HACKER 10 / THORX 90 / THORX 50 / THORX 30 / THORX 10 / MADMAN 50 / MADMAN 30 / MADMAN 10 / MADMAN 05 / MADMAN / SPIDER 90 / SPIDER 70 / SPIDER 50 / SPIDER 40 / SPIDER 30 VAMP / SPIDER 30 TURQUOISE / SPIDER 20 LIME ACCENT / SPIDER 20 PINK ACCENT / SPIDER 10 / VIPER 60 VAMP / VIPER 60 DARK LIME / VIPER 50 TITANIUM / VIPER 50 BLACK YELLOW / VIPER 40 HELIX / VIPER 40 SHADOW GOLD / VIPER 30 WHITE / VIPER 30 GREY / VIPER 20 RACEBLACK / VIPER 20 GREEN / VIPER 10 BLACK GREEN / VIPER 10 PHOENIX RED

## 052 055 | DIRT

WHIP 50 / WHIP 30 / WHIP 10 GREEN / WHIP 10 BLACK

## 056 061 | KLC WOMEN

VANITY 90 / VANITY 70 / VANITY 50 / VANITY 30 / VANITY 20 AQUA / VANITY 20 SUNSET / VANITY 10 MINT GREEN / VANITY 10 MANGO WHITE

## 062 069 | ROAD

URC 90 / URC 70 / URC 50 / URC 30 / ARC 50 / ARC 30 / ARC 10

## 070 073 | FITNESS

PHYSIO 50 / PHYSIO 30 / PHYSIO 10

## 074 097 | CROSS

PHANATIC 90 / PHANATIC 70 / PHANATIC 50 / PHANATIC 30 / PHANATIC 20 / PHANATIC 10 VAMP / PHANATIC 10 LIME ACCENT / PHUTURA 10 / PHOENIX RED / PHUTURA 10 LIME ACCENT / CLIFF 90 / CLEA 90 / CLIFF 70 HELIX / CLIFF 70 NIGHT / CLEA 70 GREY / CLEA 70 HELIX / CLIFF 60 LIME ACCENT / CLIFF 60 TURQUOISE / CLEA 60 WHITE / CLEA 60 TURQUOISE / CLIFF 50 TITANIUM / CLIFF 50 BLUE ACCENT / CLEA 50 TITANIUM / CLEA 50 PINK ACCENT / CLIFF 40 DARK LIME / CLIFF 40 / SHADOW GOLD / CLEA 40 LIME / CLEA 40 SHADOW GOLD / CLIFF 30 GREEN ACCENT / CLIFF 30 RACEBLACK / CLEA 30 SUNRISE / CLEA 30 RACEBLACK / CLIFF 20 VAMP / CLIFF 20 TURQUOISE / CLEA 20 BLACK RED / CLEA 20 DARK LIME / CLIFF 10 / CLEA 10

## 098 108 | TOUR

CARTER 70 / CARTER 50 / CRISTY 50 / CARTER 30 / CRISTY 30 / CARTER 10 / CRISTY 10 / AVENUE 90 / AVENUE 70 / AVENUE 50 / AVENUE 30 / VENUE 20 / AVENUE 10

## 109 113 | JUNIOR

MARC 1 / MARC 2 / MARC 3 / MARC 4 / MARC 5 / MARC 6 / MAGGIE / MIA / CINDY / EMMA / KITE 12

## 114 135 | SPECIFICATIONS / GEOMETRIES

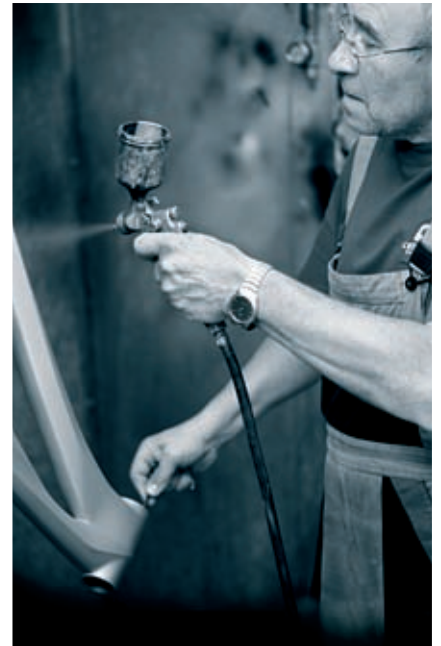
## 136 | CONTACTS



# DESIGN IS WHAT WE TRUST IN

There's always a lot going on in the Design Center. Today, the creative minds in our team are working on tomorrow's ideas.





# TECH SIGN INATION

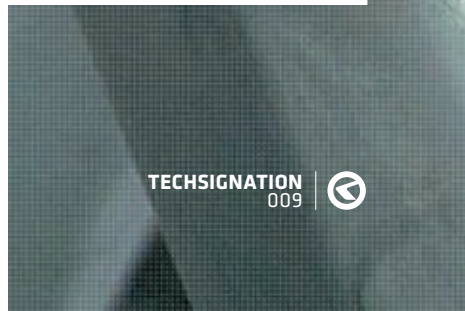
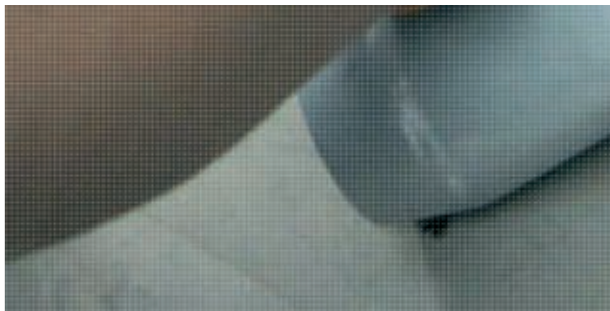
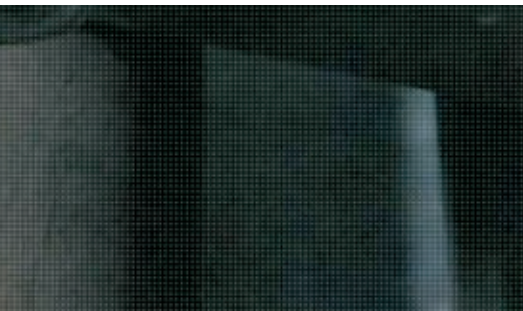
**Our equation of creativity:**  
TECHNOLOGY+DESIGN+INNOVATION  
**=TECHSIGNATION**  
SINCE 1991

## Challenge + Responsibility

At Kellys, we know how important it is to listen to what our customers want. Creating our own designs mostly means having a lot of responsibility. It's a combination of mastering technology, applying innovation and predicting trends that transform into our new products. There are many hours of development, studies and conceptual work behind each frame and it's a dream come true when a new model is created. We are proud to produce our own industrial design and we strive to set the targets higher each year. Knowledge, enthusiasm and dedication are pushing us forward continuously and a sense of fulfillment and happiness is felt when the results of our work bring new benefits for the customer. Your satisfaction is our top priority.











### 1 Leverage Ratio

The Leverage Ratio is slightly progressive in character (the hand lever ratio is between 1:2.7 and 1:2.5). Thanks to that, the bicycle is stable and does not create excessive frame recoil, meaning that the energy the rider directs into pedals does not dissipate due to recoil. In difficult terrain, the shock absorber becomes more responsive, providing high comfort, perfect adjustment to the terrain, and thus faster and smoother ride.

### 2 Axle path

The trajectory course of a suspended rear frame (the curve first heads to the rear and then bends toward

the front) enables the full functionality of the system. Braking no longer affects its functionality and suspension thus remains active even under extreme riding circumstances, thanks to which the bicycle continuously copes with irregularities.

### 3 Chain extension / Pedal kickback

When suspension is engaged, (during which the distance between the central construction and rear wheel axle changes) chain extension occurs. The Ratio Link Control system has been designed to extend the chain by mere 16mm at maximum shock absorber elevation

- an extremely low number compared to competing suspension systems (20 - 25mm) - and ensures no kickback effect comes into play at maximum compression. Pedal kickback is the kickback into pedals which occurs when the rear frame of a bicycle moves under maximum load to the shock absorber and the chain gets extended. Since chain extension remains low (mere 16mm) with the Ratio Trail Control system, the pedal kickback effect is negligible.

### 4 Shock characteristics

To ensure the suspension system's optimum performance under all conditions and utilize its suspen-

sion potential to its full extent, all its parts must be designed uncompromisingly. The Rock Shox / Sram brand adjusted the characteristics of individual suspension rear shocks for frames featuring the Kellys Ratio Link Control suspension system to make sure the suspension provided the best possible suspension qualities to the system as well as maximum ride comfort. A system composed in this manner utilizes distribution of forces affecting individual areas to ensure that the anchoring elements of the shock absorption unit in the frame are exposed to less strain and thus extends the durability of the entire suspension system.





# TECHNOLOGY



## KELLYS Ratio Trail Control Link

KELLYS RATIO Trail Control Link is a system of frame suspension which filters terrain irregularities and offers the rider a comfortable ride and perfect bike control even under the toughest conditions. This system disposes of a so-called virtual pivot point and has been designed to utilize active suspension characteristics of a suspended frame and neutralize unnecessary jiggling while pedaling. Simultaneously, the system provides a suspension system which progressively reacts to terrain irregularities.









SERIES

29  
(650B) 27.5  
26

# FULL SUSPENSION

## Full Power Ahead

Fullies combine an absolute frame rigidity and top suspension which harmonize with each other. On fast downhill runs, these machines offer confident and secure bicycle control, even at high speeds, with optimal shock absorption, 'ironing away' uneven terrain. On technically demanding runs they hug the terrain so you expend energy efficiently with a solid footprint and no pain.

### 29" XC MARATHON

REYON 50 / REYON 30 / REYON 10

### 27.5" (650 B) XC MARATHON

TYKE 50 / TYKE 30 / TYKE 10

### 26" ALLMOUNTAIN / ENDURO

SWAG 50 / SWAG 30 / SWAG 10

### 26" XC MARATHON

WANDAL 50 / WANDAL 30 / WANDAL 10



### KELLYS RATIO TRAIL CONTROL LINK

suspension system is the bicycle frame to isolate the rider from uneven surfaces and ensure full comfortable ride, which is also the difficult conditions in full control of the rider.



# 29

# XC MARATHON



## REYON 50

**FRAME** Kellys SXC Marathon 29 SWT / 100mm rear travel **FORK** Fox 32 Float Evolution O/C CTD, 120mm, air / Open Cartridge / Climb-Trail-Descend / Lockout **REAR SHOCK** Fox Float Evolution CTD, air / Climb-Trail-Descend **CRANKSET** Shimano M552 **SHIFTERS** Shimano SLX SL-M670 Rapidfire Plus, 30-speed **F/R DERAILLEUR** Shimano SLX / Deore XT **BRAKES** Shimano M446 Hydraulic Disc **WHEELSET** Mavic Crossone Disc **TIRES** Schwalbe 2.25 Rapid Rob







## REYON 30

**FRAME** Kellys SXC Marathon 29 SWT / 100mm rear travel **FORK** Rock Shox XC 32 TK Solo Air, 100mm, air / PopLoc Remote Lockout **REAR SHOCK** Rock Shox Monarch RL, Solo Air / Lockout **CRANKSET** Shimano M552 **SHIFTERS** Shimano Deore SL-M610 Rapidfire Plus, 30-speed **F/R DERAILEUR** Shimano Deore / Deore XT **BRAKES** Avid DB3 Hydraulic Disc **HUBS** Sram MTH-306 Disc **RIMS** KLS MadMax Disc **TIRES** Schwalbe 2.25 Rapid Rob

## REYON 10

**FRAME** Kellys SXC Marathon 29 SWT / 100mm rear travel **FORK** SR Suntour XCR LO-R Air, 120mm, air / Speed Lockout **REAR SHOCK** Rock Shox Monarch R, Solo Air / Rebound **CRANKSET** KLS Race integrated **SHIFTERS** Shimano Alivio SL-M430 Rapidfire Plus, 27-speed **F/R DERAILEUR** Shimano SLX / Deore **BRAKES** KLS Helix 7B Hydraulic Disc **HUBS** Sram MTH-306 Disc **RIMS** KLS MadMax Disc **TIRES** Schwalbe 2.25 Rapid Rob







## TYKE 50

**FRAME** Kellys SXC Marathon 27.5 SWT / 110mm rear travel **FORK** Rock Shox Recon Gold TK Solo Air, 120mm, air / PushLoc Remote Lockout **REAR SHOCK** Rock Shox Monarch RL, Solo Air / Lockout **CRANKSET** Shimano M552 **SHIFTERS** Shimano SLX SL-M670 Rapidfire Plus, 30-speed **F/R DERAILLEUR** Shimano SLX / Deore XT **BRAKES** Shimano M446 Hydraulic Disc **HUBS** Kellys Stormer 15DH-FR Disc (15mm front thru axle) / Shimano Deore M525 Disc **RIMS** KLS MadMax Disc **TIRES** Schwalbe 2.25 Rapid Rob







## TYKE 30

**FRAME** Kellys SXC Marathon 27.5 SWT / 110mm rear travel **FORK** Rock Shox 30 Gold TK Solo Air, 120mm, air / PopLoc Remote Lockout **REAR SHOCK** Rock Shox Monarch RL, Solo Air / Lockout **CRANKSET** Shimano M522 Hollowtech Octalink **SHIFTERS** Shimano Deore SL-M610 Rapidfire Plus, 30-speed **F/R DERAILLEUR** Shimano Deore / SLX **BRAKES** Avid DB3 Hydraulic Disc **HUBS** Shimano M475 Disc **RIMS** KLS MadMax Disc **TIRES** Schwalbe 2.25 Rapid Rob



## TYKE 10

**FRAME** Kellys SXC Marathon 27.5 SWT / 110mm rear travel **FORK** SR Suntour XCR RL-R Air, 120mm, air / Remote Speed Lockout **REAR SHOCK** Rock Shox Monarch R, Solo Air / Rebound **CRANKSET** KLS Master **SHIFTERS** Shimano Acera SL-M390 Rapidfire Plus, 27-speed **F/R DERAILLEUR** Shimano Alivio / Deore **BRAKES** Avid DB1 Hydraulic Disc **HUBS** Sram MTH-306 Disc **RIMS** KLS MadMax Disc **TIRES** Schwalbe 2.25 Rapid Rob



# 26 ALLMOUNTAIN 26 ENDURO



## SWAG 50

**FRAME** Kellys SFS Supertrail Allmountain-Enduro SWT / 150mm rear travel **FORK** Rock Shox Sektor Gold TK Solo Air, 150mm, air / PushLoc Remote Lockout **REAR SHOCK** Rock Shox Monarch RL, Solo Air / Lockout **CRANKSET** Sram S1400 GXP **SHIFTERS** Shimano SLX SL-M670 Rapidfire Plus, 30-speed **F/R DERAILLEUR** Shimano SLX / Deore XT **BRAKES** Shimano SLX M675 Hydraulic Disc **HUBS** Kellys Stormer 15DH-FR Disc (15mm front thru axle) / KLS Disc **RIMS** KLS MadMax Disc **TIRES** Schwalbe 2.25 Nobby Nic Performance







## SWAG 30

**FRAME** Kellys SFS Supertrail Allmountain-Enduro SWT / 150mm rear travel **FORK** Rock Shox Sektor Silver TK Solo Air, 140mm, air / PopLoc Remote Lockout **REAR SHOCK** Rock Shox Monarch RL, Solo Air / Lockout **CRANKSET** Sram 51000 GXP **SHIFTERS** Sram X5 Trigger, 30-speed **F/R DERAILLEUR** Sram X7 **BRAKES** Avid Elixir 3 Hydraulic Disc **HUBS** Kellys Stormer 15DH-FR Disc (15mm front thru axle) / Sram MTH-306 Disc **RIMS** KLS MadMax Disc **TIRES** Schwalbe 2.25 Nobby Nic Performance



## SWAG 10

**FRAME** Kellys SFS Supertrail Allmountain-Enduro SWT / 150mm rear travel **FORK** SR Suntour Raidon RL-R, 140mm, air / Remote Speed Lockout **REAR SHOCK** Rock Shox Monarch R, Solo Air / Rebound **CRANKSET** KLS Race integrated **SHIFTERS** Shimano Acera M390 Rapidfire Plus, 27-speed **F/R DERAILLEUR** Shimano SLX / Deore **BRAKES** Avid DB1 Hydraulic Disc **HUBS** Sram MTH-306 Disc **RIMS** KLS MadMax Disc **TIRES** Schwalbe 2.25 Nobby Nic Performance





## WANDAL 50

**FRAME** Kellys SXC Marathon SWT / 110mm rear travel **FORK** Fox 32 Float Evolution O/C CTD, 120mm, air / Open Cartridge / Climb-Trail-Descend / Lockout **REAR SHOCK** Fox Float Evolution CTD, air / Climb-Trail-Descend **CRANKSET** Shimano M552 **SHIFTERS** Shimano Deore SL-M610 Rapidfire Plus, 30-speed **F/R DERAILLEUR** Shimano Deore XT **BRAKES** Shimano M446 Hydraulic Disc **HUBS** Shimano Deore M525 Disc **RIMS** KLS MadMax Disc **TIRES** Schwalbe 2.25 Rocket Ron Performance







## WANDAL 30

**FRAME** Kellys SXC Marathon SWT / 110mm rear travel **FORK** Rock Shox Recon Silver TK Solo Air, 120mm, air / PopLoc Remote Lockout **REAR SHOCK** Rock Shox Monarch RL, Solo Air / Lockout **CRANKSET** KLS Race integrated **SHIFTERS** Shimano Alivio SL-M430 Rapidfire Plus, 27-speed **F/R DERAILLEUR** Shimano Alivio / Deore XT **BRAKES** Avid DB1 Hydraulic Disc **HUBS** Kellys Stormer 15DH-FR Disc (15mm front thru axle) / Sram MTH-306 Disc **RIMS** KLS Draft Disc **TIRES** Schwalbe 2.25 Rocket Ron Performance



## WANDAL 10

**FRAME** Kellys SXC Marathon SWT / 110mm rear travel **FORK** SR Suntour XCR RL-R Air, 120mm, air / Remote Speed Lockout **REAR SHOCK** Rock Shox Monarch R, Solo Air / Rebound **CRANKSET** KLS Master **SHIFTERS** Shimano Acera SL-M390 Rapidfire Plus, 27-speed **F/R DERAILLEUR** Shimano Altus / Deore **BRAKES** KLS Helix 7B Hydraulic Disc **HUBS** Sram MTH-306 Disc **RIMS** KLS Draft Disc **TIRES** Schwalbe 2.25 Rocket Ron Performance





SERIES

# HARD TAIL

29

27.5 (650B)

26

Do you prefer the classics? There has to be something about hard tails as they were the first mountain bikes ever created. Our hard tails are continuously evolving to make use of the latest technologies. For frames of the highest models we used exceptionally light and strong carbon composites, while the rest of the models are made with high-grade aluminium alloys. We've chosen components from renowned manufacturers and increased frame strength, while dropping weight down to the very minimum. You only have to focus on performance, the rest is taken care of by your Kellys hardtail.

#### **29" HARDTAIL**

TNT 90 / TNT 70 / TNT 50 / TNT 30 / TNT 20 / TNT 10 / TNT 05 WHITE / TNT 05 TITANIUM

#### **27.5" (650 B) HARDTAIL**

HACKER 90 / HACKER 50 / HACKER 30 / HACKER 10 / THORX 90 / THORX 50 / THORX 30 / THORX 10 / MADMAN 50 / MADMAN 30 / MADMAN 10 / MADMAN 05 / MADMAN

#### **26" HARDTAIL**

SPIDER 90 / SPIDER 70 / SPIDER 50 / SPIDER 40 / SPIDER 30 VAMP / SPIDER 30 TURQUOISE / SPIDER 20 LIME ACCENT / SPIDER 20 PINK ACCENT / SPIDER 10 / VIPER 60 VAMP / VIPER 60 DARK LIME / VIPER 50 TITANIUM / VIPER 50 BLACK YELLOW / VIPER 40 HELIX / VIPER 40 SHADOW GOLD / VIPER 30 RACE WHITE / VIPER 30 GREY / VIPER 20 RACE BLACK / VIPER 20 GREEN / VIPER 10 BLACK GREEN / VIPER 10 PHOENIX RED





# THE HARDSIDE OF LIFE



# 29 HARDTAIL



## TNT 90

**FRAME** Kellys RideLite Premium 29 3ple butted - RRC Geometry (Race Ready Concept) **FORK** Rock Shox Reba RL Solo Air, 100mm, air / PushLoc Remote Lockout **CRANKSET** Shimano Deore XT Hollowtech II **SHIFTERS** Shimano SLX SL-M670 Rapidfire Plus, 30-speed **F/R DERAILLEUR** Shimano Deore XT **BRAKES** Shimano SLX M675 Hydraulic Disc **WHEELSET** Mavic Crossone Disc **TIRES** Schwalbe 2.25 Rapid Rob





## TNT 70

**FRAME** Kellys RideLite Premium 29 3ple butted - RRC Geometry (Race Ready Concept) **FORK** Rock Shox Recon Silver TK Solo Air, 100mm, air / PopLoc Remote Lockout **CRANKSET** Shimano M522 Hollowtech Octalink **SHIFTERS** Shimano SLX SL-M670 Rapidfire Plus, 30-speed **F/R DERAILLEUR** Shimano Deore / Deore XT **BRAKES** Avid DB3 Hydraulic Disc **HUBS** Kellys Stormer 15DH-FR Disc (15mm front thru axle) / Shimano M475 Disc **RIMS** KLS Draft Disc **TIRES** Schwalbe 2.25 Rapid Rob



## TNT 50

**FRAME** Kellys RideLite Premium 29 3ple butted - RRC Geometry (Race Ready Concept) **FORK** Rock Shox XC 32 TK Solo Air, 100mm, air / PopLoc Remote Lockout **CRANKSET** Shimano M522 Hollowtech Octalink **SHIFTERS** Shimano Deore SL-M610 Rapidfire Plus, 30-speed **F/R DERAILLEUR** Shimano Deore / Deore XT **BRAKES** KLS Helix 7B Hydraulic Disc **HUBS** Shimano M475 Disc **RIMS** KLS Draft Disc **TIRES** Schwalbe 2.25 Rapid Rob





## TNT 30

**FRAME** Kellys RideLite Premium 29 3ple butted - RRC Geometry (Race Ready Concept) **FORK** SR Suntour XCR RL-R Air, 100mm, air / Remote Speed Lockout **CRANKSET** KLS Race integrated **SHIFTERS** Shimano Alivio SL-M430 Rapidfire Plus, 27-speed **F/R DERAILLEUR** Shimano Alivio / Deore **BRAKES** Avid DB1 Hydraulic Disc **HUBS** Sram MTH-306 Disc **RIMS** KLS Draft Disc **TIRES** Schwalbe 2.25 Rapid Rob



## TNT 20

**FRAME** Kellys RideLite Premium 29 3ple butted - RRC Geometry (Race Ready Concept) **FORK** SR Suntour XCM HLO, 100mm, coil / Speed Lockout **CRANKSET** KLS Master **SHIFTERS** Shimano Acera SL-M390 Rapidfire Plus, 27-speed **F/R DERAILLEUR** Shimano Altus / Alivio **BRAKES** Avid DB1 Hydraulic Disc **HUBS** Sram MTH-306 Disc **RIMS** KLS Draft Disc **TIRES** KLS 2.10





## TNT 10

**FRAME** Kellys RideLite Premium 29 3ple butted - RRC Geometry (Race Ready Concept) **FORK** SR Suntour XCT MLO, 100mm, coil / Mechanical Lockout  
**CRANKSET** SR Suntour XCT **SHIFTERS** Shimano Altus SL-M370 Rapidfire Plus, 27-speed **F/R DERAILEUR** Shimano Altus / Acera **BRAKES** Avid DB1 Hydraulic Disc **HUBS** Sram MTH-306 Disc **RIMS** KLS Draft Disc **TIRES** KLS 2.10







## TNT 05 WHITE

**FRAME** Kellys RideLite Premium 29 3ple butted - RRC Geometry (Race Ready Concept) **FORK** SR Suntour M3020 MLO, 75mm, coil / Mechanical Lockout **CRANKSET** SR Suntour NEX **SHIFTERS** Shimano ST-EF51-8 EZ-fire Plus, 24-speed **F/R DERAILLEUR** Shimano M190 / Acera **BRAKES** Tektro V-brake **HUBS** alloy **RIMS** KLS Draft **TIRES** KLS 2.10



## TNT 05 TITANIUM

**FRAME** Kellys RideLite Premium 29 3ple butted - RRC Geometry (Race Ready Concept) **FORK** SR Suntour M3020 MLO, 75mm, coil / Mechanical Lockout **CRANKSET** SR Suntour NEX **SHIFTERS** Shimano ST-EF51-8 EZ-fire Plus, 24-speed **F/R DERAILLEUR** Shimano M190 / Acera **BRAKES** Tektro V-brake **HUBS** alloy **RIMS** KLS Draft **TIRES** KLS 2.10



# 27.5 HARDTAIL



## HACKER 90

**FRAME** Kellys iCAD HT Carbon Composite **FORK** Fox 32 Float Factory Fit CTD Remote - Kashima Coat, 100mm, air / FIT Damper Technology / Climb-Trail-Descend / Remote Lockout **CRANKSET** Shimano XTR Hollowtech II (42x30) **SHIFTERS** Shimano XTR SL-M980 Rapidfire Plus, 20-speed **F/R DERAILLEUR** Shimano XTR **BRAKES** Shimano XTR M985 Hydraulic Disc **WHEELSET** Crank Brothers Cobalt 2 **TIRES** Schwalbe 2.25 Racing Ralph Performance folding



# DEVELOPED WITH A PASSION FOR DETAIL

We're excited and literally fascinated with design. It's our daily passion. We live the dream every day and find it immensely fun.



**iCAD**<sup>™</sup>  
**CARBON**  
INNOVATIVE CARBON  
ADVANCED DESIGN



# HARDTAIL CARBON HACKER™



## Technology and Design

Our carbon HardTail models are designed for extreme performance, so we developed new frames made from black carbon composite fibre with iCAD (Innovative Carbon Advanced Design) technology. We perfected the aerodynamics while increasing frame strength, necessary when sprinting or climbing hills.





## HACKER 50

**FRAME** Kellys iCAD HT Carbon Composite **FORK** Fox 32 Float Evolution O/C CTD Remote, 100mm, air / Open Cartridge / Climb-Trail-Descend / Remote Lockout  
**CRANKSET** Shimano Deore XT Hollowtech II (40x28) **SHIFTERS** Shimano SLX SL-M670 Rapidfire Plus, 20-speed **F/R DERAILLEUR** Shimano SLX / Deore XT  
**BRAKES** Shimano SLX M675 Hydraulic Disc **WHEELSET** Mavic Crossone Disc **TIRES** Schwalbe 2.25 Racing Ralph Performance folding







## HACKER 30

**FRAME** Kellys iCAD HT Carbon Composite **FORK** Rock Shox Reba RL Solo Air, 100mm, air / Motion Control / PushLoc Remote Lockout **CRANKSET** Shimano M552 **SHIFTERS** Shimano Deore SL-M610 Rapidfire Plus, 30-speed **F/R DERAILLEUR** Shimano Deore / Deore XT **BRAKES** Shimano M446 Hydraulic Disc **HUBS** Shimano Deore M525 Disc **RIMS** KLS MadMax Disc **TIRES** Schwalbe 2.25 Rapid Rob



## HACKER 10

**FRAME** Kellys iCAD HT Carbon Composite **FORK** Rock Shox 30 Gold TKSolo Air, 100mm, air / PopLoc Remote Lockout **CRANKSET** Sram S1000 GXP **SHIFTERS** Sram X5 Trigger, 30-speed **F/R DERAILLEUR** Sram X5 / Sram X7 **BRAKES** Avid Elixir 3 Hydraulic Disc **HUBS** Shimano M475 Disc **RIMS** KLS MadMax Disc **TIRES** Schwalbe 2.25 Rapid Rob





## THORX 90

**FRAME** Kellys 6BOX SWT 3ple butted - Race Geometry **FORK** Rock Shox Reba RL Solo Air, 100mm, air / Motion Control / PushLoc Remote Lockout **CRANKSET** Shimano SLX Hollowtech II (40x28) **SHIFTERS** Shimano SLX SL-M670 Rapidfire Plus, 20-speed **F/R DERAILLEUR** Shimano SLX / Deore XT **BRAKES** Shimano SLX M675 Hydraulic Disc **WHEELSET** Mavic Crossone Disc **TIRES** Schwalbe 2.25 Racing Ralph Performance folding





## THORX 50

**FRAME** Kellys 6BOX SWT 3ple butted - Race Geometry **FORK** Rock Shox Recon Gold TK Solo Air, 100mm, air / PushLoc Remote Lockout **CRANKSET** Shimano M552 **SHIFTERS** Shimano SLX SL-M670 Rapidfire Plus, 30-speed **F/R DERAILEUR** Shimano SLX / Deore XT **BRAKES** Shimano M446 Hydraulic Disc **HUBS** Kellys Stormer 15DH-FR Disc (15mm front thru axle) / Shimano Deore M525 Disc **RIMS** KLS MadMax Disc **TIRES** Schwalbe 2.25 Rapid Rob



## THORX 30

**FRAME** Kellys 6BOX SWT 3ple butted - Race Geometry **FORK** Rock Shox 30 Gold TK Solo Air, 100mm, air / PopLoc Remote Lockout **CRANKSET** Shimano M552 **SHIFTERS** Shimano Deore SL-M610 Rapidfire Plus, 30-speed **F/R DERAILEUR** Shimano Deore / Deore XT **BRAKES** Avid DB3 Hydraulic Disc **HUBS** Shimano M475 Disc **RIMS** KLS MadMax Disc **TIRES** Schwalbe 2.25 Rapid Rob







## THORX 10

**FRAME** Kellys 6BOX SWT 3ple butted - Race Geometry **FORK** Rock Shox XC 30 TK, 100mm, coil / TurnKey Lockout **CRANKSET** Shimano Deore XT Hollowtech II **SHIFTERS** Shimano Deore SL-M610 Rapidfire Plus, 30-speed **F/R DERAILLEUR** Shimano Deore / Deore XT **BRAKES** Avid DB3 Hydraulic Disc **HUBS** Sram MTH-306 Disc **RIMS** KLS MadMax Disc **TIRES** Schwalbe 2.25 Rapid Rob







## MADMAN 50

**FRAME** Kellys Alutec Avant DRT 650B **FORK** Rock Shox XC 30 TK, 100mm, coil / PopLoc Remote Lockout **CRANKSET** Shimano M522 Hollowtech Octalink **SHIFTERS** Shimano Deore SL-M610 Rapidfire Plus, 30-speed **F/R DERAILLEUR** Shimano Deore **BRAKES** Avid DB3 Hydraulic Disc **HUBS** Sram MTH-306 Disc **RIMS** KLS Draft Disc **TIRES** Schwalbe 2.25 Rapid Rob





## MADMAN 30

**FRAME** Kellys Alutec Avant DRT 650B **FORK** SR Suntour XCM RL, 100mm, coil / Remote Speed Lockout **CRANKSET** Shimano Acera **SHIFTERS** Shimano Acera SL-M390 Rapidfire Plus, 27-speed **F/R DERAILLEUR** Shimano Acera / Deore **BRAKES** Avid DB1 Hydraulic Disc **HUBS** Sram MTH-306 Disc **RIMS** KLS Draft Disc **TIRES** Schwalbe 2.25 Rapid Rob



## MADMAN 10

**FRAME** Kellys Alutec Avant DRT 650B **FORK** SR Suntour XCT MLO, 100mm, coil / Mechanical Lockout **CRANKSET** KLS Master **SHIFTERS** Shimano Altus SL-M370 Rapidfire Plus, 27-speed **F/R DERAILLEUR** Shimano Acera / Alivio **BRAKES** Avid DB1 Hydraulic Disc **HUBS** Sram MTH-306 Disc **RIMS** KLS Draft Disc **TIRES** Schwalbe 2.25 Rapid Rob





## MADMAN 05

**FRAME** Kellys Alutec Avant DRT 650B **FORK** SR Suntour XCT MLO, 100mm, coil / Mechanical Lockout **CRANKSET** SR Suntour XCT **SHIFTERS** Shimano SL-M310 Rapidfire Plus, 24-speed **F/R DERAILLEUR** Shimano M190 / Alivio **BRAKES** Avid DB1 Hydraulic Disc **HUBS** Sram MTH-306 Disc **RIMS** KLS Draft Disc **TIRES** KLS 2.10



## MADMAN

**FRAME** Kellys Alutec Avant DRT 650B **FORK** SR Suntour XCT, 100mm, coil spring **CRANKSET** SR Suntour NEX **SHIFTERS** Shimano ST-EF51-8 EZ-fire Plus, 24-speed **F/R DERAILLEUR** Shimano M190 / Altus **BRAKES** Zoom Mechanical Disc **HUBS** Sram MTH-306 Disc **RIMS** KLS Draft Disc **TIRES** KLS 2.10



# 26 HARDTAIL



## SPIDER 90

**FRAME** Kellys Alutec Avant - RRC Geometry (Race Ready Concept) **FORK** Rock Shox XC 32 TK Solo Air, 100mm, air / PopLoc Remote Lockout **CRANKSET** Shimano M522 Hollowtech Octalink **SHIFTERS** Shimano Deore SL-M610 Rapidfire Plus, 30-speed **F/R DERAILLEUR** Shimano Deore / Deore XT **BRAKES** Avid DB3 Hydraulic Disc **HUBS** Sram MTH-306 Disc **RIMS** KLS Draft Disc **TIRES** Schwalbe 2.25 Rocket Ron Performance





## SPIDER 70

**FRAME** Kellys Alutec Avant - RRC Geometry (Race Ready Concept) **FORK** SR Suntour XCR RL-R Air, 100mm, air / Remote Speed Lockout **CRANKSET** Shimano M522 Hollowtech octalink **SHIFTERS** Shimano Deore SL-M610 Rapidfire Plus, 30-speed **F/R DERAILLEUR** Shimano Deore / Deore XT **BRAKES** KLS Helix 7B Hydraulic Disc **HUBS** Sram MTH-306 Disc **RIMS** KLS Draft Disc **TIRES** Schwalbe 2.25 Rocket Ron Performance



## SPIDER 50

**FRAME** Kellys Alutec Avant - RRC Geometry (Race Ready Concept) **FORK** Rock Shox XC 32 TK, 100mm, coil / TurnKey Lockout **CRANKSET** KLS Race integrated **SHIFTERS** Shimano Alivio SL-M430 Rapidfire Plus, 27-speed **F/R DERAILLEUR** Shimano Alivio / Deore **BRAKES** KLS Helix 7B Hydraulic Disc **HUBS** Sram MTH-306 Disc **RIMS** KLS Draft Disc **TIRES** Schwalbe 2.25 Rocket Ron Performance







## SPIDER 40

**FRAME** Kellys Alutec Avant - RRC Geometry (Race Ready Concept) **FORK** SR Suntour XCR LO, 100mm, coil / Speed Lockout **CRANKSET** Shimano Acera **SHIFTERS** Shimano Acera SL-M390 Rapidfire Plus, 27-speed **F/R DERAILLEUR** Shimano Alivio / Deore **BRAKES** Avid DB1 Hydraulic Disc **HUBS** Sram MTH-306 Disc **RIMS** KLS Draft Disc **TIRES** Schwalbe 2.10 Rapid Rob



## SPIDER 30 VAMP

**FRAME** Kellys Alutec Avant - RRC Geometry (Race Ready Concept) **FORK** SR Suntour XCM HLO, 100mm, coil / Speed Lockout **CRANKSET** KLS Master **SHIFTERS** Shimano Acera SL-M390 Rapidfire Plus, 27-speed **F/R DERAILLEUR** Shimano Acera / Deore **BRAKES** Avid DB1 Hydraulic Disc **HUBS** Sram MTH-306 Disc **RIMS** KLS Draft Disc **TIRES** Schwalbe 2.10 Rapid Rob





## SPIDER 30 TURQUOISE

**FRAME** Kellys Alutec Avant - RRC Geometry (Race Ready Concept) **FORK** SR Suntour XCM HLO, 100mm, coil / Speed Lockout **CRANKSET** KLS Master **SHIFTERS** Shimano Acera SL-M390 Rapidfire Plus, 27-speed **F/R DERAILLEUR** Shimano Acera / Deore **BRAKES** Avid DB1 Hydraulic Disc **HUBS** Sram MTH-306 Disc **RIMS** KLS Draft Disc **TIRES** Schwalbe 2.10 Rapid Rob



## SPIDER 20 LIME ACCENT

**FRAME** Kellys Alutec Avant - RRC Geometry (Race Ready Concept) **FORK** SR Suntour XCT MLO, 100mm, coil / Mechanical Lockout **CRANKSET** KLS Master **SHIFTERS** Shimano Altus SL-M370 Rapidfire Plus, 27-speed **F/R DERAILLEUR** Shimano Altus / Alivio **BRAKES** Avid DB1 Hydraulic Disc **HUBS** Sram MTH-306 Disc **RIMS** KLS Draft Disc **TIRES** Schwalbe 2.10 Rapid Rob







## SPIDER 20 PINK ACCENT

**FRAME** Kellys Alutec Avant - RRC Geometry (Race Ready Concept) **FORK** SR Suntour XCT MLO, 100mm, coil / Mechanical Lockout **CRANKSET** KLS Master **SHIFTERS** Shimano Altus SL-M370 Rapidfire Plus, 27-speed **F/R DERAILLEUR** Shimano Altus / Alivio **BRAKES** Avid DB1 Hydraulic Disc **HUBS** Sram MTH-306 Disc **RIMS** KLS Draft Disc **TIRES** Schwalbe 2.10 Rapid Rob



## SPIDER 10

**FRAME** Kellys Alutec Avant - RRC Geometry (Race Ready Concept) **FORK** SR Suntour XCM HLO, 100mm, coil / Speed Lockout **CRANKSET** Shimano Acera **SHIFTERS** Shimano Altus SL-M370 Rapidfire Plus, 27-speed **F/R DERAILLEUR** Shimano Altus / Deore **BRAKES** Tektro V-brake **HUBS** alloy **RIMS** KLS Draft **TIRES** KLS 2.10





## VIPER 60 DARK LIME

**FRAME** Kellys Alutec Lite - RRC Geometry (Race Ready Concept) **FORK** SR Suntour XCT MLO, 100mm, coil / Mechanical Lockout **CRANKSET** SR Suntour XCT **SHIFTERS** Shimano SL-M310 Rapidfire Plus, 24-speed **F/R DERAILLEUR** Shimano M190 / Deore **BRAKES** Avid DB1 Hydraulic Disc **HUBS** Sram MTH-306 Disc **RIMS** KLS Draft Disc **TIRES** KLS 2.10





## VIPER 60 VAMP

**FRAME** Kellys Alutec Lite - RRC Geometry (Race Ready Concept) **FORK** SR Suntour XCT MLO, 100mm, coil / Mechanical Lockout **CRANKSET** SR Suntour XCT **SHIFTERS** Shimano SL-M310 Rapidfire Plus, 24-speed **F/R DERAILLEUR** Shimano M190 / Deore **BRAKES** Avid DB1 Hydraulic Disc **HUBS** Sram MTH-306 Disc **RIMS** KLS Draft Disc **TIRES** KLS 2.10



## VIPER 50 TITANIUM

**FRAME** Kellys Alutec Lite - RRC Geometry (Race Ready Concept) **FORK** SR Suntour XCT, 100mm, coil spring **CRANKSET** SR Suntour XCT **SHIFTERS** Shimano ST-EF51-8 EZ-fire Plus, 24-speed **F/R DERAILLEUR** Shimano M190 / Alivio **BRAKES** Zoom Mechanical Disc **HUBS** Sram MTH-306 Disc **RIMS** KLS Draft Disc **TIRES** KLS 2.10





## VIPER 50 BLACK YELLOW

**FRAME** Kellys Alutec Lite - RRC Geometry (Race Ready Concept) **FORK** SR Suntour XCT, 100mm, coil spring **CRANKSET** SR Suntour XCT **SHIFTERS** Shimano ST-EF51-8 EZ-fire Plus, 24-speed **F/R DERAILLEUR** Shimano M190 / Alivio **BRAKES** Zoom Mechanical Disc **HUBS** Sram MTH-306 Disc **RIMS** KLS Draft Disc **TIRES** KLS 2.10



## VIPER 40 HELIX

**FRAME** Kellys Alutec Lite - RRC Geometry (Race Ready Concept) **FORK** SR Suntour XCT, 100mm, coil spring **CRANKSET** SR Suntour NEX **SHIFTERS** Shimano ST-EF51-8 EZ-fire Plus, 24-speed **F/R DERAILLEUR** Shimano M190 / Alivio **BRAKES** Tektro V-brake **HUBS** alloy **RIMS** KLS Draft **TIRES** KLS 2.10





## VIPER 40 SHADOW GOLD

**FRAME** Kellys Alutec Lite - RRC Geometry (Race Ready Concept) **FORK** SR Suntour XCT, 100mm, coil spring **CRANKSET** SR Suntour NEX **SHIFTERS** Shimano ST-EF51-8 EZ-fire Plus, 24-speed **F/R DERAILEUR** Shimano M190 / Alivio **BRAKES** Tektro V-brake **HUBS** alloy **RIMS** KLS Draft **TIRES** KLS 2.10



## VIPER 30 RACE WHITE

**FRAME** Kellys Alutec Lite - RRC Geometry (Race Ready Concept) **FORK** SR Suntour XCT, 100mm, coil spring **CRANKSET** Prowheel **SHIFTERS** Shimano ST-EF51-8 EZ-fire Plus, 24-speed **F/R DERAILEUR** Shimano TY10 / Acera **BRAKES** Alhonga V-brake **HUBS** alloy **RIMS** KLS Draft **TIRES** KLS 2.10





## VIPER 30 GREY

**FRAME** Kellys Alutec Lite - RRC Geometry (Race Ready Concept) **FORK** SR Suntour XCT, 100mm, coil spring **CRANKSET** Prowheel **SHIFTERS** Shimano ST-EF51-8 EZ-fire Plus, 24-speed **F/R DERAILEUR** Shimano TY10 / Acera **BRAKES** Alhonga V-brake **HUBS** alloy **RIMS** KLS Draft **TIRES** KLS 2.10



## VIPER 20 RACE BLACK

**FRAME** Kellys Alutec Lite - RRC Geometry (Race Ready Concept) **FORK** SR Suntour XCT, 100mm, coil spring **CRANKSET** Prowheel **SHIFTERS** Shimano ST-EF51-7 EZ-fire Plus, 21-speed **F/R DERAILEUR** Shimano TY10 / Acera **BRAKES** Alhonga V-brake **HUBS** alloy **RIMS** KLS Draft **TIRES** KLS 2.10







## VIPER 20 GREEN

**FRAME** Kellys Alutec Lite - RRC Geometry (Race Ready Concept) **FORK** SR Suntour XCT, 100mm, coil spring **CRANKSET** Prowheel **SHIFTERS** Shimano ST-EF51-7 EZ-fire Plus, 21-speed **F/R DERAILLEUR** Shimano TY10 / Acera **BRAKES** Alhonga V-brake **HUBS** alloy **RIMS** KLS Draft **TIRES** KLS 2.10



## VIPER 10 BLACK GREEN

**FRAME** Kellys Alutec Lite - RRC Geometry (Race Ready Concept) **FORK** SR Suntour M3020 A, 75mm, coil spring **CRANKSET** Prowheel **SHIFTERS** Shimano ST-EF51-7 EZ-fire Plus, 21-speed **F/R DERAILLEUR** Shimano TY10 / Altus **BRAKES** Alhonga V-brake **HUBS** alloy **RIMS** KLS Draft **TIRES** KLS 2.10





## VIPER 10 PHOENIX RED

**FRAME** Kellys Alutec Lite - RRC Geometry (Race Ready Concept) **FORK** SR Suntour M3020 A, 75mm, coil spring **CRANKSET** Prowheel **SHIFTERS** Shimano ST-EF51-7 EZ-fire Plus, 21-speed **F/R DERAILLEUR** Shimano TY10 / Altus **BRAKES** Alhonga V-brake **HUBS** alloy **RIMS** KLS Draft **TIRES** KLS 2.10





SERIES

# DIRT



## 100% FUN / 0% TROUBLE

Dirt is a FreeRide life style. Kellys Dirt bikes give you absolute freedom. Made for adrenaline rides at the edge of your limits, Dirt bike must withstand extreme treatment and endure almost anything. Powerful, reinforced frames keep you in the seat over the most daring patches, jumps and free falls. Robust construction and reduced geometry give the bike agility, maximum steering control and stability at high speeds. Expect powerful disc brakes and components designed for harsh treatment. Our Whip models are built to be bold. Realise your crazy ideas and enjoy unbridled riding! [Let's Go Out!](#)

WHIP 50 / WHIP 30 / WHIP 10 GREEN / WHIP 10 BLACK







®

**THROW NEW TRICKS  
AND PUSH YOUR LIMITS**







## WHIP 30

**FRAME** Kellys Dirt Proven double butted - Dirt Series Geometry **FORK** RST Dirt T, 100mm, coil spring **CRANKSET** Truvativ Ruktion 1.0 **R/SHIFTER** Sram SL Trigger, 9-speed **R/DERAILLEUR** Sram X4 **BRAKES** Avid DB1 Hydraulic Disc **HUBS** Sram MTH-306 Disc **RIMS** KLS Brave Disc **TIRES** Kenda 2.35 Kinetics



## WHIP 50

**FRAME** Kellys Dirt Proven double butted - Dirt Series Geometry **FORK** SR Suntour Duro DJ D 20Qloc - thru axle, 100mm, coil spring / hydraulic **CRANKSET** Truvativ Ruktion 1.0 **R/SHIFTER** Sram X5 Trigger, 9-speed **R/DERAILLEUR** Sram X5 **BRAKES** Avid Elixir 1 Hydraulic Disc **HUBS** KLS D20 Disc (20mm front thru axle) **RIMS** KLS Brave Disc **TIRES** Kenda 2.35 Kinetics





## WHIP 10 GREEN

**FRAME** Kellys Dirt Proven double butted - Dirt Series Geometry **FORK** SR Suntour XCT, 100mm, coil spring **CRANKSET** SR Suntour XCE **SHIFTERS** Shimano ST-EF51-7 EZ-fire Plus, 21-speed **F/R DERAILLEUR** Shimano TX50 / Acera **BRAKES** Zoom Mechanical Disc **HUBS** Sram MTH-306 Disc **RIMS** KLS Draft Disc **TIRES** Kenda 2.35 Kinetics



## WHIP 10 BLACK

**FRAME** Kellys Dirt Proven double butted - Dirt Series Geometry **FORK** SR Suntour XCT, 100mm, coil spring **CRANKSET** SR Suntour XCE **SHIFTERS** Shimano ST-EF51-7 EZ-fire Plus, 21-speed **F/R DERAILLEUR** Shimano TX50 / Acera **BRAKES** Zoom Mechanical Disc **HUBS** Sram MTH-306 Disc **RIMS** KLS Draft Disc **TIRES** Kenda 2.35 Kinetics



SERIES

KLCWOMEN



## Kellys Lady Concept

At Kellys we have specially designed frames that geometrically fit the feminine form. Lady Sport Geometry frames allow women to maximize their energy input, enjoy high stability and easy handling even on challenging terrains and unpaved roads. The usual standard is a front suspension fork, which ensures a sufficiently comfortable ride. Trendy colourful combinations and matched accessories KLC allows women to maintain their feminine charm even during sports. We understand what women want.

VANITY 90 / VANITY 70 / VANITY 50 / VANITY 30 / VANITY 20 AQUA / VANITY 20 SUNSET / VANITY 10 MINT GREEN / VANITY 10 MANGO WHITE



EN



A **WOMAN'S** WORLD  
IS DIFFERENT  
FROM A MAN'S





## VANITY 90

**FRAME** Kellys KLC Lite - LSG (Lady Sport Geometry) **FORK** SR Suntour XCR LO-R Air, 100mm, air / Speed Lockout **CRANKSET** KLS Race integrated **SHIFTERS** Shimano Alivio SL-M430 Rapidfire Plus, 27-speed **F/R DERAILEUR** Shimano Alivio / Deore **BRAKES** KLS Helix 7B Hydraulic Disc **HUBS** Sram MTH-306 Disc **RIMS** KLS Draft Disc **TIRES** Schwalbe 2.10 Rapid Rob



## VANITY 70

**FRAME** Kellys KLC Lite - LSG (Lady Sport Geometry) **FORK** SR Suntour XCM HLO, 100mm, coil / Speed Lockout **CRANKSET** Shimano Acera **SHIFTERS** Shimano SL-M310 Rapidfire Plus, 24-speed **F/R DERAILEUR** Shimano Altus / Alivio **BRAKES** Avid DB1 Hydraulic Disc **HUBS** Sram MTH-306 Disc **RIMS** KLS Draft Disc **TIRES** KLS 2.10





## VANITY 50

**FRAME** Kellys KLC Lite - LSG (Lady Sport Geometry) **FORK** SR Suntour XCT MLO, 100mm, coil / Mechanical Lockout **CRANKSET** SR Suntour XCE **SHIFTERS** Shimano SL-M310 Rapidfire Plus, 24-speed **F/R DERAILLEUR** Shimano M190 / Altus **BRAKES** Avid DB1 Hydraulic Disc **HUBS** Sram MTH-306 Disc **RIMS** KLS Draft Disc **TIRES** KLS 2.10



## VANITY 30

**FRAME** Kellys KLC Lite - LSG (Lady Sport Geometry) **FORK** SR Suntour XCT MLO, 100mm, coil / Mechanical Lockout **CRANKSET** SR Suntour XCE **SHIFTERS** Shimano ST-EF51-8 EZ-fire Plus, 24-speed **F/R DERAILLEUR** Shimano M190 / Altus **BRAKES** Tektro V-brake **HUBS** alloy **RIMS** KLS Draft **TIRES** Kellys 2.0 Cobra





## VANITY 20 AQUA

**FRAME** Kellys KLC Lite - LSG (Lady Sport Geometry) **FORK** SR Suntour XCT, 100mm, coil spring **CRANKSET** Prowheel **SHIFTERS** Shimano ST-EF51-7 EZ-fire Plus, 21-speed **F/R DERAILEUR** Shimano M190 / Altus **BRAKES** Alhonga V-brake **HUBS** alloy **RIMS** KLS Draft **TIRES** Kellys 2.0 Cobra



## VANITY 20 SUNSET

**FRAME** Kellys KLC Lite - LSG (Lady Sport Geometry) **FORK** SR Suntour XCT, 100mm, coil spring **CRANKSET** Prowheel **SHIFTERS** Shimano ST-EF51-7 EZ-fire Plus, 21-speed **F/R DERAILEUR** Shimano M190 / Altus **BRAKES** Alhonga V-brake **HUBS** alloy **RIMS** KLS Draft **TIRES** Kellys 2.0 Cobra





## VANITY 10 MINT GREEN

**FRAME** Kellys KLC Lite - LSG (Lady Sport Geometry) **FORK** SR Suntour M3020 A, 75mm, coil spring **CRANKSET** Prowheel **SHIFTERS** Shimano SL-RS35-7 Revoshift, 21-speed **F/R DERAILLEUR** Shimano TX50 / Altus **BRAKES** Alhonga V-brake **HUBS** alloy **RIMS** KLS Draft **TIRES** Kellys 2.0 Cobra



## VANITY 10 MANGO WHITE

**FRAME** Kellys KLC Lite - LSG (Lady Sport Geometry) **FORK** SR Suntour M3020 A, 75mm, coil spring **CRANKSET** Prowheel **SHIFTERS** Shimano SL-RS35-7 Revoshift, 21-speed **F/R DERAILLEUR** Shimano TX50 / Altus **BRAKES** Alhonga V-brake **HUBS** alloy **RIMS** KLS Draft **TIRES** Kellys 2.0 Cobra



SERIES

# ROAD



Lightweight, sleek and built for speed, road bikes are special machines for a special purpose. Road models are designed for extreme performance, that's why we developed new frames of black carbon composite fibre with iCAD technology (Innovative Carbon Advanced Design). We have perfected the aerodynamics and increased frame strength, which is necessary for both sprints and riding uphill. Carbon forks are the norm and all models are equipped with the best components the bicycle industry has to offer. Take a closer look. See pure energy materialize.

URC 90 / URC 70 / URC 50 / URC 30 / ARC 50 / ARC 30 / ARC 10





DO YOU  
WANT TO WEAR  
THE **GREEN JERSEY**  
AS THE FASTEST RIDER ?







## URC 90

**FRAME** Kellys iCAD RC Carbon Composite **FORK** Kellys Carbon monocoque 1.5 TS  
**CRANKSET** Shimano Dura-Ace 9000 Hollowtech II (53x39) **SHIFTERS** Shimano Dura-Ace  
ST-9000 Dual Control, 22-speed **F/R DERAILLEUR** Shimano Dura-Ace 9000 **BRAKES**  
Shimano Dura-Ace 9000 **WHEELSET** Mavic Ksyrium Elite 5 **TIRES** Mavic Yksion Pro  
GripLink folding





## URC 70

**FRAME** Kellys iCAD RC Carbon Composite **FORK** Kellys Carbon mono-coque 1.5 TS **CRANKSET** Shimano Ultegra 6800 Hollowtech II compact (50x34) **SHIFTERS** Shimano Ultegra ST-6800 Dual Control, 22-speed **F/R DERAILLEUR** Shimano Ultegra 6800 **BRAKES** Shimano Ultegra 6800 **WHEELSET** Mavic Aksium Race **TIRES** Schwalbe Ultramo ZX folding



## URC 50

**FRAME** Kellys iCAD RC Carbon Composite **FORK** Kellys Carbon mono-coque 1.5 TS **CRANKSET** Shimano 105 Hollowtech II compact (50x34) **SHIFTERS** Shimano 105 ST-5700 Dual Control, 20-speed **F/R DERAILLEUR** Shimano 105 **BRAKES** Shimano 105 **WHEELSET** Mavic Aksium Race **TIRES** Schwalbe Ultramo ZX folding





# ROAD CARBON URC™

## Technology and Design

Our ROAD Racing models are designed for extreme performance, that's why we developed new frames of black carbon composite fibre with iCAD technology (Innovative Carbon Advanced Design). We have perfected the aerodynamics and increased frame strength which is necessary for both sprints and riding uphill. Take a closer look. See pure energy materialize.





# ULTIMATE QUALITY BASED ON iCAD CARBON TECHNOLOGY

Our design is not only about visual ideas. We pride ourselves in innovations and advanced technology that works and will last for many years.

**iCAD**<sup>TM</sup>  
**CARBON**  
INNOVATIVE CARBON  
ADVANCED DESIGN





## URC 30

**FRAME** Kellys iCAD RC Carbon Composite **FORK** Kellys Dynamic Carbon 1.5 TS **CRANKSET** Shimano Tiagra compact (50x34) **SHIFTERS** Shimano Tiagra ST-4600 Dual Control, 20-speed **F/R DERAILLEUR** Shimano Tiagra **BRAKES** Shimano Tiagra **HUBS** Shimano Tiagra **RIMS** Kellys Spark **TIRES** Schwalbe Lugano



## ARC 50

**FRAME** Aluminum alloy 3ple butted **FORK** Kellys Dynamic Carbon 1.5 TS **CRANKSET** Shimano 105 Hollowtech II compact (50x34) **SHIFTERS** Shimano 105 ST-5700 Dual Control, 20-speed **F/R DERAILLEUR** Shimano 105 **BRAKES** Shimano 105 **HUBS** Shimano 105 **RIMS** Kellys Spark **TIRES** Schwalbe Lugano





## ARC 30

**FRAME** Aluminum alloy 3ple butted **FORK** Kellys Dynamic Carbon 1.5 TS **CRANKSET** Shimano Tiagra compact (50x34) **SHIFTERS** Shimano Tiagra ST-4600 Dual Control, 20-speed **F/R DERAILLEUR** Shimano Tiagra **BRAKES** Shimano Tiagra **HUBS** Shimano Tiagra **RIMS** Kellys Spark **TIRES** Schwalbe Lugano



## ARC 10

**FRAME** Aluminum alloy 3ple butted **FORK** Kellys Dynamic Carbon 1.5 TS **CRANKSET** Shimano Claris Octalink compact (50x34) **SHIFTERS** Shimano Claris ST-2400 Dual Control, 16-speed **F/R DERAILLEUR** Shimano Claris **BRAKES** Shimano Claris **HUBS** Shimano Claris **RIMS** Kellys Spark **TIRES** Schwalbe Lugano



SERIES

# FITNESS



Forget about lifting weights in an air-conditioned fitness centre. The best fitness regime is being out and about in the fresh air. What can be more natural and enjoyable than that? Our new universal fitness range brings together a unique combination of road bike features with the comfort of a city bike. Urban Move Fitness bicycles are designed specially for active riding in an urban environment. Be fit and ride your bike to work, school, or just to a coffee break with friends.

PHYSIO 50 / PHYSIO 30 / PHYSIO 10





# URBANMOVE FEEL GOOD FOR LIFE





## PHYSIO 50

**FRAME** Aluminum alloy 3ple butted - Urban Move Concept **FORK** Aluminum alloy **CRANKSET** Sram Via Centro **SHIFTERS** Sram Via Centro Trigger, 20-speed **F/R DERAILLEUR** Sram Via Centro **BRAKES** Avid Single Digit 3 V-brake **HUBS** Shimano Tiagra **RIMS** Kellys Spark **TIRES** Schwalbe Spicer 30C - ReflectiveLine





## PHYSIO 30

**FRAME** Aluminum alloy 3ple butted - Urban Move Concept **FORK** Aluminum alloy **CRANKSET** SR Suntour XCR6 **SHIFTERS** Shimano Altus SL-M370 Rapidfire Plus, 27-speed **F/R DERAILEUR** Shimano Altus / Acera **BRAKES** Avid Single Digit 3 V-brake **HUBS** Shimano Claris **RIMS** Kellys Spark **TIRES** Schwalbe Spicer 30C - ReflectiveLine



## PHYSIO 10

**FRAME** Aluminum alloy 3ple butted - Urban Move Concept **FORK** Aluminum alloy **CRANKSET** Samox **R/SHIFTER** Shimano Altus SL-M390 Rapidfire Plus, 9-speed **R/DERAILEUR** Shimano Acera **BRAKES** Tektro V-brake **HUBS** Shimano Claris **RIMS** Kellys Spark **TIRES** Schwalbe Spicer 30C - ReflectiveLine





# SERIES

# CROSS

If you ride mainly for the joy of being in motion then you need a versatile sport bike. Cross bikes are the perfect option for you. They make an all-round companion that you can rely on no matter where you ride. Hills or plains, meadow paths or asphalt roads, a cross bike is truly one flexible choice. The geometry of Kellys cross bike frame is tailored for the best comfort, and you won't feel weary even after a long journey. Suspension fork, plenty of gears and smooth handling are your friends and our cross has them all. We have also included tyres with low rolling resistance for ease of riding. Take your Kellys cross for Sunday rides and short outings. Pick a direction, because life is a journey.

PHANATIC 90 / PHANATIC 70 / PHANATIC 50 / PHANATIC 30 / PHANATIC 20 / PHANATIC 10 VAMP / PHANATIC 10 LIME ACCENT / PHUTURA 10 PHOENIX RED / PHUTURA 10 LIME ACCENT / CLIFF 90 / CLEA 90 / CLIFF 70 HELIX / CLIFF 70 NIGHT / CLEA 70 HELIX / CLEA 70 GREY / CLIFF 60 TURQUOISE / CLIFF 60 LIME ACCENT / CLEA 60 TURQUOISE / CLEA 60 WHITE / CLIFF 50 TITANIUM / CLIFF 50 BLUE ACCENT / CLEA 50 TITANIUM / CLEA 50 PINK ACCENT / CLIFF 40 DARK LIME / CLIFF 40 SHADOW GOLD / CLEA 40 LIME / CLEA 40 SHADOW GOLD / CLIFF 30 GREEN ACCENT / CLIFF 30 RACE BLACK / CLEA 30 SUNRISE / CLEA 30 RACE BLACK / CLIFF 20 VAMP / CLIFF 20 TURQUOISE / CLEA 20 DARK LIME / CLEA 20 SHADOW RED / CLIFF 10 / CLEA 10





LIFE IS  
A JOURNEY







## PHANATIC 90

**FRAME** Kellys Crossforce Lite 3ple butted - SCG (Sport Cross Geometry) **FORK** SR Suntour NCX-D RL, 63mm / 75mm, air / Remote Speed Lockout **CRANKSET** Shimano T551 **SHIFTERS** Shimano Deore SL-M610 Rapidfire Plus, 30-speed **F/R DERAILLEUR** Shimano Deore XT **BRAKES** Shimano M446 Hydraulic Disc **HUBS** Shimano M475 Disc **RIMS** KLS Draft Disc **TIRES** Schwalbe CX Comp - ReflectiveLine





## PHANATIC 70

**FRAME** Kellys Crossforce Lite 3ple butted - SCG (Sport Cross Geometry) **FORK** SR Suntour NCX-D RL, 63mm / 75mm, air / Remote Speed Lockout **CRANKSET** SR Suntour XCR V2 integrated **SHIFTERS** Shimano Deore SL-M610 Rapidfire Plus, 30-speed **F/R DERAILLEUR** Shimano Deore / Deore XT **BRAKES** KLS Helix 7B Hydraulic Disc **HUBS** Shimano M475 Disc **RIMS** KLS Draft Disc **TIRES** Schwalbe CX Comp - ReflectiveLine



## PHANATIC 50

**FRAME** Kellys Crossforce Lite 3ple butted - SCG (Sport Cross Geometry) **FORK** SR Suntour NCX-D LO, 63mm / 75mm, coil / Speed Lockout **CRANKSET** SR Suntour XCR6 **SHIFTERS** Shimano Deore SL-M590 Rapidfire Plus, 27-speed **F/R DERAILLEUR** Shimano Alivio / Deore XT **BRAKES** KLS Helix 7B Hydraulic Disc **HUBS** Sram MTH-306 Disc **RIMS** KLS Draft Disc **TIRES** Schwalbe CX Comp - ReflectiveLine





## PHANTIC 30

**FRAME** Kellys Crossforce Lite 3ple butted - SCG (Sport Cross Geometry) **FORK** SR Suntour NCX-D LO, 63mm / 75mm, coil / Speed Lockout **CRANKSET** SR Suntour XCR6 **SHIFTERS** Shimano Alivio ST-M430 Rapidfire Plus, 27-speed **F/R DERAILLEUR** Shimano Alivio / Deore XT **BRAKES** Tektro V-brake **HUBS** Shimano RM40 / RM30 **RIMS** KLS Draft **TIRES** Schwalbe CX Comp - ReflectiveLine



## PHANTIC 20

**FRAME** Kellys Crossforce Lite 3ple butted - SCG (Sport Cross Geometry) **FORK** SR Suntour NEX HLO, 63mm, coil / Speed Lockout **CRANKSET** SR Suntour XCR6 **SHIFTERS** Shimano Alivio SL-M430 Rapidfire Plus, 27-speed **F/R DERAILLEUR** Shimano M191 / Alivio **BRAKES** Avid DB1 Hydraulic Disc **HUBS** Sram MTH-306 Disc **RIMS** KLS Draft Disc **TIRES** Schwalbe CX Comp - ReflectiveLine



TAKE YOUR  
**PHANATIC**  
FOR SUNDAY RIDES  
and SHORT OUTINGS







## PHANATIC 10 VAMP

**FRAME** Kellys Crossforce Lite 3ple butted - SCG (Sport Cross Geometry) **FORK** SR Suntour NEX HLO, 63mm, coil / Speed Lockout **CRANKSET** SR Suntour XCR6 **SHIFTERS** Shimano Alivio ST-M430 Rapidfire Plus, 27-speed **F/R DERAILLEUR** Shimano M191 / Deore **BRAKES** Tektro V-brake **HUBS** alloy **RIMS** KLS Draft **TIRES** Kellys Softline - ReflectiveLine



## PHANATIC 10 LIME ACCENT

**FRAME** Kellys Crossforce Lite 3ple butted - SCG (Sport Cross Geometry) **FORK** SR Suntour NEX HLO, 63mm, coil / Speed Lockout **CRANKSET** SR Suntour XCR6 **SHIFTERS** Shimano Alivio ST-M430 Rapidfire Plus, 27-speed **F/R DERAILLEUR** Shimano M191 / Deore **BRAKES** Tektro V-brake **HUBS** alloy **RIMS** KLS Draft **TIRES** Kellys Softline - ReflectiveLine





## PHUTURA 10 PHOENIX RED

**FRAME** Kellys Crossforce Lady Lite 3ple butted - SCG (Sport Cross Geometry) **FORK** SR Suntour NEX HLO, 63mm, coil / Speed Lockout **CRANKSET** SR Suntour XCR6 **SHIFTERS** Shimano Alivio ST-M430 Rapidfire Plus, 27-speed **F/R DERAILLEUR** Shimano M191 / Deore **BRAKES** Tektro V-brake **HUBS** alloy **RIMS** KLS Draft **TIRES** Kellys Softline - ReflectiveLine



## PHUTURA 10 LIME ACCENT

**FRAME** Kellys Crossforce Lady Lite 3ple butted - SCG (Sport Cross Geometry) **FORK** SR Suntour NEX HLO, 63mm, coil / Speed Lockout **CRANKSET** SR Suntour XCR6 **SHIFTERS** Shimano Alivio ST-M430 Rapidfire Plus, 27-speed **F/R DERAILLEUR** Shimano M191 / Deore **BRAKES** Tektro V-brake **HUBS** alloy **RIMS** KLS Draft **TIRES** Kellys Softline - ReflectiveLine



## CLIFF 90

**FRAME** Kellys Crosslite alloy **FORK** SR Suntour NEX HLO, 63mm, coil / Speed Lockout **CRANKSET** SR Suntour XCR6  
**SHIFTERS** Shimano Alivio ST-M430 Rapidfire Plus, 27-speed **F/R DERAILLEUR** Shimano M191 / SLX **BRAKES**  
Tektro V-brake **HUBS** alloy / Shimano RM30 **RIMS** KLS Draft **TIRES** Kellys Softline





## CLEA 90

**FRAME** Kellys Crosslite alloy lady's **FORK** SR Suntour NEX HLO, 63mm, coil / Speed Lockout **CRANKSET** SR Suntour XCR6 **SHIFTERS** Shimano Alivio ST-M430 Rapidfire Plus, 27-speed **F/R DERAILEUR** Shimano M191 / SLX **BRAKES** Tektro V-brake **HUBS** alloy / Shimano RM30 **RIMS** KLS Draft **TIRES** Kellys Softline





## CLIFF 70 HELIX

**FRAME** Kellys Crosslite alloy **FORK** SR Suntour NEX MLO, 63mm, coil / Mechanical Lockout **CRANKSET** SR Suntour XCM **SHIFTERS** Shimano Altus SL-M370 Rapidfire Plus, 27-speed **F/R DERAILLEUR** Shimano M191 / Altus **BRAKES** Avid DB1 Hydraulic Disc **HUBS** Sram MTH-306 Disc **RIMS** KLS Draft Disc **TIRES** Kellys Softline



## CLIFF 70 NIGHT

**FRAME** Kellys Crosslite alloy **FORK** SR Suntour NEX MLO, 63mm, coil / Mechanical Lockout **CRANKSET** SR Suntour XCM **SHIFTERS** Shimano Altus SL-M370 Rapidfire Plus, 27-speed **F/R DERAILLEUR** Shimano M191 / Altus **BRAKES** Avid DB1 Hydraulic Disc **HUBS** Sram MTH-306 Disc **RIMS** KLS Draft Disc **TIRES** Kellys Softline





## CLEA 70 HELIX

**FRAME** Kellys Crosslite alloy lady's **FORK** SR Suntour NEX MLO, 63mm, coil / Mechanical Lockout **CRANKSET** SR Suntour XCM **SHIFTERS** Shimano Altus SL-M370 Rapidfire Plus, 27-speed **F/R DERAILLEUR** Shimano M191 / Altus **BRAKES** Avid DB1 Hydraulic Disc **HUBS** Sram MTH-306 Disc **RIMS** KLS Draft Disc **TIRES** Kellys Softline



## CLEA 70 GREY

**FRAME** Kellys Crosslite alloy lady's **FORK** SR Suntour NEX MLO, 63mm, coil / Mechanical Lockout **CRANKSET** SR Suntour XCM **SHIFTERS** Shimano Altus SL-M370 Rapidfire Plus, 27-speed **F/R DERAILLEUR** Shimano M191 / Altus **BRAKES** Avid DB1 Hydraulic Disc **HUBS** Sram MTH-306 Disc **RIMS** KLS Draft Disc **TIRES** Kellys Softline





## CLIFF 60 TURQUOISE

**FRAME** Kellys Crosslite alloy **FORK** SR Suntour NEX MLO, 63mm, coil / Speed Lockout **CRANKSET** SR Suntour XCM **SHIFTERS** Shimano ST-EF65-9 EZ-fire Plus, 27-speed **F/R DERAILLEUR** Shimano M191 / Acera **BRAKES** Alhonga V-brake **HUBS** alloy **RIMS** KLS Draft **TIRES** Kellys Softline



## CLIFF 60 LIME ACCENT

**FRAME** Kellys Crosslite alloy **FORK** SR Suntour NEX MLO, 63mm, coil / Speed Lockout **CRANKSET** SR Suntour XCM **SHIFTERS** Shimano ST-EF65-9 EZ-fire Plus, 27-speed **F/R DERAILLEUR** Shimano M191 / Acera **BRAKES** Alhonga V-brake **HUBS** alloy **RIMS** KLS Draft **TIRES** Kellys Softline





## CLEA 60 TURQUOISE

**FRAME** Kellys Crosslite alloy lady's **FORK** SR Suntour NEX MLO, 63mm, coil / Speed Lockout **CRANKSET** SR Suntour XCM **SHIFTERS** Shimano ST-EF65-9 EZ-fire Plus, 27-speed **F/R DERAILLEUR** Shimano M191 / Acera **BRAKES** Alhonga V-brake **HUBS** alloy **RIMS** KLS Draft **TIRES** Kellys Softline



## CLEA 60 WHITE

**FRAME** Kellys Crosslite alloy lady's **FORK** SR Suntour NEX MLO, 63mm, coil / Speed Lockout **CRANKSET** SR Suntour XCM **SHIFTERS** Shimano ST-EF65-9 EZ-fire Plus, 27-speed **F/R DERAILLEUR** Shimano M191 / Acera **BRAKES** Alhonga V-brake **HUBS** alloy **RIMS** KLS Draft **TIRES** Kellys Softline





## CLIFF 50 TITANIUM

**FRAME** Kellys Crosslite alloy **FORK** SR Suntour NEX MLO, 63mm, coil / Mechanical Lockout **CRANKSET** SR Suntour NEX **SHIFTERS** Shimano ST-EF65-8 EZ-fire Plus, 24-speed **F/R DERAILEUR** Shimano M191 / Acera **BRAKES** Alhonga V-brake **HUBS** alloy **RIMS** KLS Draft **TIRES** Kellys Softline



## CLIFF 50 BLUE ACCENT

**FRAME** Kellys Crosslite alloy **FORK** SR Suntour NEX MLO, 63mm, coil / Mechanical Lockout **CRANKSET** SR Suntour NEX **SHIFTERS** Shimano ST-EF65-8 EZ-fire Plus, 24-speed **F/R DERAILEUR** Shimano M191 / Acera **BRAKES** Alhonga V-brake **HUBS** alloy **RIMS** KLS Draft **TIRES** Kellys Softline





## CLEA 50 TITANIUM

**FRAME** Kellys Crosslite alloy lady's **FORK** SR Suntour NEX MLO, 63mm, coil / Mechanical Lockout **CRANKSET** SR Suntour NEX **SHIFTERS** Shimano ST-EF65-8 EZ-fire Plus, 24-speed **F/R DERAILLEUR** Shimano M191 / Acera **BRAKES** Alhonga V-brake **HUBS** alloy **RIMS** KLS Draft **TIRES** Kellys Softline



## CLEA 50 PINK ACCENT

**FRAME** Kellys Crosslite alloy lady's **FORK** SR Suntour NEX MLO, 63mm, coil / Mechanical Lockout **CRANKSET** SR Suntour NEX **SHIFTERS** Shimano ST-EF65-8 EZ-fire Plus, 24-speed **F/R DERAILLEUR** Shimano M191 / Acera **BRAKES** Alhonga V-brake **HUBS** alloy **RIMS** KLS Draft **TIRES** Kellys Softline



## CLIFF 40 DARK LIME

**FRAME** Kellys Crosslite alloy **FORK** SR Suntour NEX, 63mm, coil spring **CRANKSET** SR Suntour XCC **SHIFTERS** Shimano ST-EF51-8 EZ-fire Plus, 24-speed **F/R DERAILLEUR** Shimano M191 / Altus **BRAKES** Alhonga V-brake **HUBS** alloy **RIMS** KLS Draft **TIRES** Kellys Softline



## CLIFF 40 SHADOW GOLD

**FRAME** Kellys Crosslite alloy **FORK** SR Suntour NEX, 63mm, coil spring **CRANKSET** SR Suntour XCC **SHIFTERS** Shimano ST-EF51-8 EZ-fire Plus, 24-speed **F/R DERAILLEUR** Shimano M191 / Altus **BRAKES** Alhonga V-brake **HUBS** alloy **RIMS** KLS Draft **TIRES** Kellys Softline



# RIDE FOR THE JOY OF BEING IN MOTION





## CLEA 40 LIME

**FRAME** Kellys Crosslite alloy lady's **FORK** SR Suntour NEX, 63mm, coil spring **CRANKSET** SR Suntour XCC **SHIFTERS** Shimano ST-EF51-8 EZ-fire Plus, 24-speed **F/R DERAILLEUR** Shimano M191 / Altus **BRAKES** Alhonga V-brake **HUBS** alloy **RIMS** KLS Draft **TIRES** Kellys Softline



## CLEA 40 SHADOW GOLD

**FRAME** Kellys Crosslite alloy lady's **FORK** SR Suntour NEX, 63mm, coil spring **CRANKSET** SR Suntour XCC **SHIFTERS** Shimano ST-EF51-8 EZ-fire Plus, 24-speed **F/R DERAILLEUR** Shimano M191 / Altus **BRAKES** Alhonga V-brake **HUBS** alloy **RIMS** KLS Draft **TIRES** Kellys Softline





## CLIFF 30 GREEN ACCENT

**FRAME** Kellys Crosslite alloy **FORK** SR Suntour NEX, 63mm, coil spring **CRANKSET** SR Suntour XCC **SHIFTERS** Shimano ST-EF51-7 EZ-fire Plus, 21-speed **F/R DERAILEUR** Shimano TX51 / Altus **BRAKES** Apse V-brake **HUBS** alloy **RIMS** KLS Draft **TIRES** Kellys Softline



## CLIFF 30 RACE BLACK

**FRAME** Kellys Crosslite alloy **FORK** SR Suntour NEX, 63mm, coil spring **CRANKSET** SR Suntour XCC **SHIFTERS** Shimano ST-EF51-7 EZ-fire Plus, 21-speed **F/R DERAILEUR** Shimano TX51 / Altus **BRAKES** Apse V-brake **HUBS** alloy **RIMS** KLS Draft **TIRES** Kellys Softline





## CLEA 30 SUNRISE

**FRAME** Kellys Crosslite alloy lady's **FORK** SR Suntour NEX, 63mm, coil spring **CRANKSET** SR Suntour XCC **SHIFTERS** Shimano ST-EF51-7 EZ-fire Plus, 21-speed **F/R DERAILLEUR** Shimano TX51 / Altus **BRAKES** Apse V-brake **HUBS** alloy **RIMS** KLS Draft **TIRES** Kellys Softline



## CLEA 30 RACE BLACK

**FRAME** Kellys Crosslite alloy lady's **FORK** SR Suntour NEX, 63mm, coil spring **CRANKSET** SR Suntour XCC **SHIFTERS** Shimano ST-EF51-7 EZ-fire Plus, 21-speed **F/R DERAILLEUR** Shimano TX51 / Altus **BRAKES** Apse V-brake **HUBS** alloy **RIMS** KLS Draft **TIRES** Kellys Softline





## CLIFF 20 VAMP

**FRAME** Kellys Crosslite alloy **FORK** SR Suntour M3010, 50mm, coil spring **CRANKSET** Prowheel **SHIFTERS** Shimano ST-EF51-7 EZ-fire Plus, 21-speed **F/R DERAILLEUR** Shimano TY10 / TX35 **BRAKES** Apse V-brake **HUBS** alloy **RIMS** KLS Draft **TIRES** Kellys Softline



## CLIFF 20 TURQUOISE

**FRAME** Kellys Crosslite alloy **FORK** SR Suntour M3010, 50mm, coil spring **CRANKSET** Prowheel **SHIFTERS** Shimano ST-EF51-7 EZ-fire Plus, 21-speed **F/R DERAILLEUR** Shimano TY10 / TX35 **BRAKES** Apse V-brake **HUBS** alloy **RIMS** KLS Draft **TIRES** Kellys Softline



## CLEA 20 DARK LIME

**FRAME** Kellys Crosslite alloy lady's **FORK** SR Suntour M3010, 50mm, coil spring **CRANKSET** Prowheel **SHIFTERS** Shimano ST-EF51-7 EZ-fire Plus, 21-speed **F/R DERAILLEUR** Shimano TY10 / TX35 **BRAKES** Apse V-brake **HUBS** alloy **RIMS** KLS Draft **TIRES** Kellys Softline



## CLEA 20 SHADOW RED

**FRAME** Kellys Crosslite alloy lady's **FORK** SR Suntour M3010, 50mm, coil spring **CRANKSET** Prowheel **SHIFTERS** Shimano ST-EF51-7 EZ-fire Plus, 21-speed **F/R DERAILLEUR** Shimano TY10 / TX35 **BRAKES** Apse V-brake **HUBS** alloy **RIMS** KLS Draft **TIRES** Kellys Softline





## CLIFF 10

**FRAME** Kellys Crosslite alloy **FORK** hi-ten unicrown **CRANKSET** Prowheel **SHIFTERS** Shimano ST-EF51-7 EZ-fire Plus, 21-speed **F/R DERAILLEUR** Shimano TY10 / TX35 **BRAKES** Apse V-brake **HUBS** alloy **RIMS** KLS Draft **TIRES** Kellys Softline



## CLEA 10

**FRAME** Kellys Crosslite alloy **FORK** hi-ten unicrown **CRANKSET** Prowheel **SHIFTERS** Shimano ST-EF51-7 EZ-fire Plus, 21-speed **F/R DERAILLEUR** Shimano TY10 / TX35 **BRAKES** Apse V-brake **HUBS** alloy **RIMS** KLS Draft **TIRES** Kellys Softline



# SERIES

# TOUR

In many cities, bikes are becoming a green alternative to cars. You want to get from A to B, and the Kellys Tour range will do just that. Count on this solid means of transport for any occasion, regardless of weather or lighting conditions. Reliable and convenient, these bikes will not just get you through the urban jungle, but also take you along rural roads. We've put great emphasis on ride comfort, easy handling, safety and minimal maintenance. Accessories include fenders, rack, kickstand and lights, while some models include an integrated gearbox in the rear hub. An ideal addition for city intersections is a dynamo with a battery in the front hub that keeps the lights on even after you stop. Kellys Tour bicycles work for you, not the other way round.

## **TREKKING**

CARTER 70 / CARTER 50 / CRISTY 50 / CARTER 30 / CRISTY 30 / CARTER 10 / CRISTY 10

## **CITY**

AVENUE 90 / AVENUE 70 / AVENUE 50 / AVENUE 30 / AVENUE 20 / AVENUE 10





AN **ALTERNATIVE**  
TO **CARS**





## CARTER 70

**FRAME** Aeroprofile alloy **FORK** SR Suntour NEX MLO, 63mm, coil / Mechanical Lockout **CRANKSET** SR Suntour XCM **SHIFTERS** Shimano ST-EF65-9 EZ-fire Plus, 27-speed **F/R DERAILLEUR** Shimano M191 / Alivio **BRAKES** Tektro V-brake **HUBS** Shimano Dynamo hub 3N20 / Shimano RM30 **RIMS** KLS Draft **TIRES** Kellys Camp - ReflectiveLine **LIGHTING** Büchel Road Lite / Büchel Champs Elysees LED





## CARTER 50

**FRAME** Aeroprofile alloy **FORK** SR Suntour NEX, 63mm, coil spring **CRANKSET** SR Suntour XCE **SHIFTERS** Shimano ST-EF51-8 EZ-fire Plus, 24-speed **F/R DERAILLEUR** Shimano M191 / Altus **BRAKES** Alhonga V-brake **HUBS** Shimano Dynamo hub 3N20 / alloy **RIMS** KLS Draft **TIRES** Kellys Camp **LIGHTING** Büchel Road Lite / Büchel Champs Elysees LED

## CRISTY 50

**FRAME** Aeroprofile alloy lady's **FORK** SR Suntour NEX, 63mm, coil spring **CRANKSET** SR Suntour XCE **SHIFTERS** Shimano ST-EF51-8 EZ-fire Plus, 24-speed **F/R DERAILLEUR** Shimano M191 / Altus **BRAKES** Alhonga V-brake **HUBS** Shimano Dynamo hub 3N20 / alloy **RIMS** KLS Draft **TIRES** Kellys Camp **LIGHTING** Büchel Road Lite / Büchel Champs Elysees LED





## CARTER 30

**FRAME** Aeroprofile alloy **FORK** SR Suntour M3010, 50mm, coil spring **CRANKSET** SR Suntour XCE **SHIFTERS** Shimano SL-RS35-7 Revoshift, 21-speed **F/R DERAILLEUR** Shimano M191 / Altus **BRAKES** Alhonga V-brake **HUBS** Shimano Dynamo hub 3N20 / alloy **RIMS** KLS Draft **TIRES** Kellys Camp **LIGHTING** Büchel Road Lite / Büchel Champs Elysees LED

## CRISTY 30

**FRAME** Aeroprofile alloy lady's **FORK** SR Suntour M3010, 50mm, coil spring **CRANKSET** SR Suntour XCE **SHIFTERS** Shimano SL-RS35-7 Revoshift, 21-speed **F/R DERAILLEUR** Shimano M191 / Altus **BRAKES** Alhonga V-brake **HUBS** Shimano Dynamo hub 3N20 / alloy **RIMS** KLS Draft **TIRES** Kellys Camp **LIGHTING** Büchel Road Lite / Büchel Champs Elysees LED







## CARTER 10

**FRAME** hi-ten **FORK** hi-ten unicrown **CRANKSET** SR Suntour XCC **SHIFTERS** Shimano SL-RS35-7 Revoshift, 21-speed **F/R DERAILLEUR** Shimano TZ31 / TX35 **BRAKES** Alhonga V-brake **HUBS** alloy **RIMS** KLS Draft **TIRES** Kellys Camp **LIGHTING** Büchel Road Lite / Büchel Champs Elysees LED

## CRISTY 10

**FRAME** hi-ten lady's **FORK** hi-ten unicrown **CRANKSET** SR Suntour XCC **SHIFTERS** Shimano SL-RS35-7 Revoshift, 21-speed **F/R DERAILLEUR** Shimano TZ31 / TX35 **BRAKES** Alhonga V-brake **HUBS** alloy **RIMS** KLS Draft **TIRES** Kellys Camp **LIGHTING** Büchel Road Lite / Büchel Champs Elysees LED





A woman wearing a white sun hat, sunglasses, a floral strapless top, and yellow shorts is standing next to a black bicycle. She is smiling and looking to the right. The bicycle has a rear rack and a front light. The background is a lush garden with various plants and flowers. The text "BICYCLES WERE INVENTED MAINLY TO SERVE YOU" is overlaid on the right side of the image.

BICYCLES WERE  
**INVENTED**  
**MAINLY**  
TO SERVE YOU





## AVENUE 90

**FRAME** Aluminum alloy monotube **FORK** SR Suntour CR-8V, 50mm, coil spring  
**CRANKSET** Prowheel **SHIFTERS** Shimano Nexus SL-7S20 Revoshift, 7-speed  
**BRAKES** Alhonga V-brake / Shimano coaster brake **HUBS** Shimano Dynamo hub  
3N20 / Nexus 7C30 Inter-7 internal geared hub **RIMS** KLS Draft **TIRES** Rubena  
Flash 28 x 1.75 ReflectiveLine **LIGHTING** Büchel Road Lite / Büchel Champs Elysee LED



## AVENUE 70

**FRAME** Aluminum alloy monotube **FORK** SR Suntour CR-8V, 50mm, coil spring **CRANKSET** Shimano M131 **SHIFTERS** Shimano ST-EF51-8 EZ-fire Plus, 24-speed **F/R DERAILEUR** Shimano M191 / Altus **BRAKES** Tektro V-brake **HUBS** Shimano Dynamo hub 3N20 / alloy **RIMS** KLS Draft **TIRES** Rubena Flash 28 x 1.75 ReflectiveLine **LIGHTING** Büchel Road Lite / Büchel Champs Elysees LED

## AVENUE 50

**FRAME** Aluminum alloy monotube **FORK** hi-ten unicrown **CRANKSET** Prowheel **SHIFTERS** Shimano Nexus SL-3S42E Revoshift, 3-speed **BRAKES** Alhonga V-brake / Shimano coaster brake **HUBS** Shimano Dynamo hub 3N20 / Nexus 3C41 Inter-3 internal geared hub **RIMS** Kellys City **TIRES** Rubena Flash 28 x 1.75 ReflectiveLine **LIGHTING** Büchel Road Lite / Büchel Champs Elysees LED







## AVENUE 30

**FRAME** Aluminum alloy monotube **FORK** hi-ten unicrown **CRANKSET** Prowheel **SHIFTERS** Shimano Nexus SL-3S41E Revoshift, 3-speed **BRAKES** Alhonga V-brake / Shimano coaster brake **HUBS** Shimano Dynamo hub 3N20 / Shimano Nexus 3C41 Inter-3 internal geared hub **RIMS** Kellys City **TIRES** Rubena Cobra 26 x 1.90 **LIGHTING** Büchel Road Lite / Büchel Champs Elysees LED

## AVENUE 20

**FRAME** Aluminum alloy monotube **FORK** hi-ten unicrown **CRANKSET** Prowheel **SHIFTERS** Shimano Nexus SL-3S42E Revoshift, 3-speed **BRAKES** Alhonga V-brake / Shimano coaster brake **HUBS** alloy / Shimano Nexus 3C41 Inter-3 internal geared hub **RIMS** Kellys City **TIRES** Rubena Flash 28 x 1.75 ReflectiveLine **LIGHTING** Büchel Road Lite / Büchel Champs Elysees LED







## AVENUE 10

**FRAME** Aluminum alloy monotube **FORK** hi-ten unicrown **CRANKSET** Prowheel **SHIFTERS** Shimano Nexus SL-3S41E Revoshift, 3-speed **BRAKES** Alhonga V-brake / Shimano coaster brake **HUBS** alloy / Shimano Nexus 3C41 Inter-3 internal geared hub **RIMS** Kellys City **TIRES** Rubena Cobra 26 x 1.90 **LIGHTING** Büchel Road Lite / Büchel Champs Elysees LED





SERIES

# JUNIOR

## Dreams do Come True

Remember what was it like when you got your first bike as a child? What would you say now about some of today's Junior bicycles? Oh, they'd make your eyes shine! At Kellys we have utilized our experience from other categories to bring versatile Junior model bikes that are safe, easy to handle and a no-brainer to maintain. They have a design children love and are ergonomically fitted to different age groups - from the smallest children to teenagers.

MARC 1 / MARC 2 / MARC 3 / MARC 4 / MARC 5 /  
MARC 6 / KITE 12 / MAGGIE / MIA / CINDY / EMMA



## MARC 1

**FRAME** Kellys Hydroforming Aluminum alloy 3ple butted MTB 24" **FORK** RST Capa ML, 50mm, coil / MCU / Mechanical Lockout **CRANKSET** SR Suntour XCT **SHIFTERS** Shimano SL-M310 Rapidfire Plus, 24-speed **F/R DERAILLEUR** Shimano Altus / Acera **BRAKES** Tektro V-brake **HUBS** alloy / Shimano RM30 **RIMS** KLS Draft **TIRES** CST 24 x 1.95



## MARC 2

**FRAME** Kellys Aluminum alloy MTB 24" **FORK** RST Capa T8, 50mm, coil / MCU **CRANKSET** Prowheel **SHIFTERS** Shimano RS36-7 Revoshift, 21-speed **F/R DERAILLEUR** Shimano M190 / Acera **BRAKES** Apse V-brake **HUBS** alloy **RIMS** KLS Draft **TIRES** Rubena Winner 24 x 1.90







## MARC 3

**FRAME** Kellys Aluminum alloy MTB 24" **FORK** hi-ten unicrown  
**CRANKSET** Prowheel **SHIFTERS** Shimano RS35-6 Revoshift, 18-speed **F/R DERAILEUR** Shimano TZ20 / TZ50 **BRAKES** Apse V-brake **HUBS** alloy **RIMS** Kellys Wasper **TIRES** Rubena Winner 24 x 1.90

## MARC 4

**FRAME** Kellys Aluminum alloy MTB 20" **FORK** RST Capa T20, 50mm, coil spring **CRANKSET** Prowheel **SHIFTERS** Shimano RS35-6 Revoshift, 6-speed **F/R DERAILEUR** Shimano FT30 **BRAKES** Apse V-brake **HUBS** alloy **RIMS** Remerx RMX 21 **TIRES** Rubena Winner 20 x 1.90



## MARC 5

**FRAME** Kellys Aluminum alloy BMX 20" **FORK** BMX hi-ten unicrown  
**CRANKSET** Prowheel, 1-speed chainwheel **BRAKES** Apse V-brake / coaster brake **HUBS** alloy / coaster brake hub **RIMS** Remerx RMX21 **TIRES** Rubena Bicross 20 x 1.75 x 2





## MARC 6

**FRAME** Kellys Aluminum alloy MTB 16" **FORK** hi-ten unicrown  
**CRANKSET** 1-speed chainwheel **BRAKES** Apse V-brake / coaster brake  
**HUBS** steel / coaster brake hub **RIMS** Remerx RMX20 **TIRES** Rubena  
 Winner 16 x 1.75 x 2



## KITE 12

Stylish balance bike Kellys KITE 12 helps your child to get used to riding a bike. Children naturally learn to keep their balance without the fear of falling. Riding on a balance bike is a lot of fun. It teaches your child to ride on two wheels, helps to improve their motor skills, riding control and coordination. The best riders have the opportunity to keep their feet on the integrated foot pegs and develop advanced riding skills. Adjustable handlebars and quick-clamps on seat allow easy customization for each child. Ease of riding is ensured by inflatable 12 inch wheels with denser tread which improve grip on variety of terrains, be it grass, mud or pavement. Balance bike Kellys KITE12 meets the highest safety standards for the European market and is certified to EN-71 norm.

## MAGGIE

**FRAME** Kellys Aluminum alloy monotube 24" **FORK** hi-ten unicrown  
**CRANKSET** Prowheel, 1-speed chainwheel **SHIFTERS** Shimano  
 Nexus SL-3S41E Revoshift, 3-speed **BRAKES** Tektro V-brake /  
 Shimano coaster brake **HUBS** alloy / Shimano Nexus 3C41 Inter-3  
 internal geared hub **RIMS** Kellys Wasper **TIRES** Rubena Walrus  
 24 x 1.75 x 2 ReflectiveLine





## MIA

**FRAME** Kellys Aluminum alloy monotube 24" **FORK** hi-ten unicrown **CRANKSET** Prowheel, 1-speed chainwheel **SHIFTERS** Shimano SL-RS35-6 Revoshift, 6-speed **R/DERAILLEUR** Shimano TZ50 **BRAKES** Tektro V-brake **HUBS** alloy **RIMS** Kellys Wasper **TIRES** Rubena Walrus 24 x 1.75 x 2



## CINDY

**FRAME** Kellys Aluminum alloy monotube 20" **FORK** hi-ten unicrown **CRANKSET** Prowheel, 1-speed chainwheel **BRAKES** Tektro V-brake / coaster brake **HUBS** alloy / coaster brake hub **RIMS** Remerx RMX21 **TIRES** Rubena Walrus 20 x 1.75 x 2



## EMMA

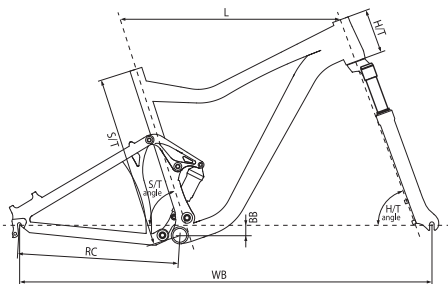
**FRAME** Kellys Aluminum alloy monotube 16" **FORK** hi-ten unicrown **CRANKSET** 1-speed chainwheel **BRAKES** Apse V-brake / coaster brake **HUBS** steel / coaster brake hub **RIMS** Remerx RMX20 **TIRES** Rubena Walrus 16 x 1.75 x 2



series  
**FULLSUSPENSION**

	29 XC MARATHON			27.5 (650B) XC MARATHON	
	REYON 50	REYON 30	REYON 10	TYKE 50	TYKE 30
<b>FRAME</b>	Kellys SXC Marathon 29 SWT 7005 / 100mm rear travel	Kellys SXC Marathon 29 SWT 7005 / 100mm rear travel	Kellys SXC Marathon 29 SWT 7005 / 100mm rear travel	Kellys SXC Marathon 650B SWT 6061 / 110mm rear travel	Kellys SXC Marathon 650B SWT 6061 / 110mm rear travel
<b>FRAME SIZE</b>	S (17") / M (19") / L (21")	S (17") / M (19") / L (21")	S (17") / M (19") / L (21")	S (17") / M (19") / L (21")	S (17") / M (19") / L (21")
<b>FORK</b>	Fox 32 Float Evolution O/C CTD (29) 120mm, air / Open Cartridge / CTD 3 / Lockout	Rock Shox XC 32 TK Solo Air (29) 100mm, air / PopLoc Remote Lockout	SR Suntour XCR LO-R Air (29) 120mm, air / Speed Lockout	Rock Shox Recon Gold TK Solo Air (27.5) 120mm, air / PushLoc Remote Lockout	Rock Shox 30 Gold TK Solo Air (27.5) 120mm, air / PopLoc Remote Lockout
<b>HEAD PARTS</b>	KLS Race 1.5 integrated	KLS Race 1.5 integrated	KLS Master 1.5 integrated	KLS Race 1.5 integrated	KLS Race 1.5 integrated
<b>B.B.PARTS</b>	-	-	-	-	Shimano Octalink cardridge (113mm)
<b>CRANKSET</b>	Shimano M552 (42x32x24)	Shimano M552 (42x32x24)	KLS Race integrated (44x32x22)	Shimano M552 (42x32x24)	Shimano M522 Hollowtech Octalink (42x32x24)
<b>SHIFTERS</b>	Shimano SLX SL-M670 Rapidfire Plus	Shimano Deore (14) SL-M610 Rapidfire Plus	Shimano Alivio SL-M430 Rapidfire Plus	Shimano SLX SL-M670 Rapidfire Plus	Shimano Deore (14) SL-M610 Rapidfire Plus
<b>F/DERAILLEUR</b>	Shimano SLX M671 (34.9mm)	Shimano Deore (14) M611 (34.9mm)	Shimano SLX M661 (34.9mm)	Shimano SLX M671 (34.9mm)	Shimano Deore M611 (34.9mm)
<b>R/DERAILLEUR</b>	Shimano Deore XT M780	Shimano Deore XT M780	Shimano Deore M591	Shimano Deore XT M780	Shimano SLX M670
<b>SPEED</b>	30	30	27	30	30
<b>FREEWHEEL</b>	Sram PG-1030-10 (11-32)	Sram PG-1030-10 (11-32)	Shimano CS-HG20-9 (11-34)	Sram PG-1030-10 (11-32)	Sram PG-1030-10 (11-32)
<b>CHAIN</b>	KMC X10 (110 links)	KMC X10 (110 links)	KMC X9 (110 links)	KMC X10 (110 links)	KMC X10 (110 links)
<b>BRAKES</b>	Shimano M446 Hydraulic Disc	Avid DB3 Hydraulic Disc	KLS Helix 7B Hydraulic Disc	Shimano M446 Hydraulic Disc	Avid DB3 Hydraulic Disc
<b>BRAKE ROTORS</b>	160mm front / 160mm rear	160mm front / 160mm rear	160mm front / 160mm rear	160mm front / 160mm rear	160mm front / 160mm rear
<b>BRAKE LEVERS</b>	Shimano BL-M505	Avid DB3	KLS Helix 7B	Shimano BL-M505	Avid DB3
<b>HUBS</b>	-	Sram MTH-306 Disc (32 holes)	Sram MTH-306 Disc (32 holes)	Kellys Stormer 15DH-FR Disc (15mm thru axle) / Shimano Deore M525 Disc (32 holes)	Shimano M475 Disc (32 holes)
<b>RIMS / WHEELSET</b>	Mavic Crossone Disc 29 (584) wheelset	KLS MadMax Disc 622 x 18 (32 holes)	KLS MadMax Disc 622 x 18 (32 holes)	KLS MadMax Disc 584 x 18 (32 holes)	KLS MadMax Disc 584 x 18 (32 holes)
<b>SPOKES</b>	-	stainless steel black	stainless steel black	stainless steel black	stainless steel black
<b>TIRES</b>	Schwalbe Rapid Rob 57-622 (29 x 2.25)	Schwalbe Rapid Rob 57-622 (29 x 2.25)	Schwalbe Rapid Rob 57-622 (29 x 2.25)	Schwalbe Rapid Rob 57-584 (27.5 x 2.25)	Schwalbe Rapid Rob 57-584 (27.5 x 2.25)
<b>STEM</b>	KLS Master (diam 28.6mm / bar bore 31.8mm / 7°)	KLS Expert (diam 28.6mm / bar bore 31.8mm / 7°)	KLS Expert (diam 28.6mm / bar bore 31.8mm / 7°)	KLS Master (diam 28.6mm / bar bore 31.8mm / 7°)	KLS Master (diam 28.6mm / bar bore 31.8mm / 7°)
<b>HANDLEBAR</b>	KLS Master (31.8mm)	KLS Master (31.8mm)	KLS Master (31.8mm)	KLS Master RiseBar (31.8mm)	KLS Master RiseBar (31.8mm)
<b>GRIPS</b>	KLS Advancer LockOn gel	KLS Advancer LockOn gel	KLS Advancer 2Density	KLS Advancer LockOn gel	KLS Advancer LockOn gel
<b>SEAT POST</b>	KLS Master (diam 31.6mm)	KLS Expert (diam 31.6mm)	KLS Expert (diam 31.6mm)	KLS Master (diam 31.6mm)	KLS Expert (diam 31.6mm)
<b>SADDLE</b>	fi'zi:k Nisene Mg	KLS Avenger	KLS Avenger	KLS Falcon	KLS Falcon
<b>PEDALS</b>	Shimano M505 SPD	KLS Master - alloy	KLS Master - alloy	Shimano M505 SPD	KLS Master - alloy
<b>REAR SHOCK</b>	Fox Float Evolution CTD air / Climb-Trail-Descend (size 165mm)	Rock Shox Monarch RL Solo Air / Lockout (size 165mm)	Rock Shox Monarch R Solo Air / Rebound (size 165mm)	Rock Shox Monarch RL Solo Air / Lockout (size 165mm)	Rock Shox Monarch RL Solo Air / Lockout (size 165mm)

Specifications are subject to change without notice.



**FULLSUSPENSION 29": Kellys SXC Marathon 29 SWT 7005**

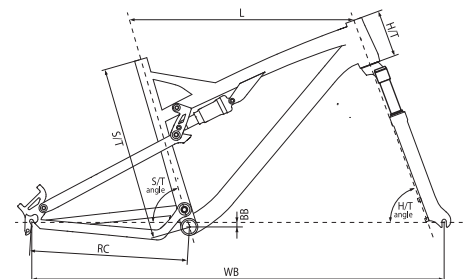
size	S/T (mm)	L (mm)	H/T (mm)	S/T angle	H/T angle	BB (mm)	RC (mm)	WB (mm)
S (17")	431.8	600	115	72°	70°	30	455	1138.5
M (19")	482.6	620	125	72°	70°	30	452	1158.8
L (21")	533.4	640	135	72°	70°	30	452	1179.2

model: Reyon 50, Reyon 30, Reyon 10

**FULLSUSPENSION 27.5": Kellys SXC Marathon 27.5 (650B) SWT 6061**

size	S/T (mm)	L (mm)	H/T (mm)	S/T angle	H/T angle	BB (mm)	RC (mm)	WB (mm)
S (17")	432	585	120	73°	68.3°	20	450	1119,1
M (19")	480	620	130	73°	68.3°	20	450	1155,0
L (21")	530	645	140	73°	68.3°	20	450	1180,8

model: Tyke 50, Tyke 30, Tyke 10

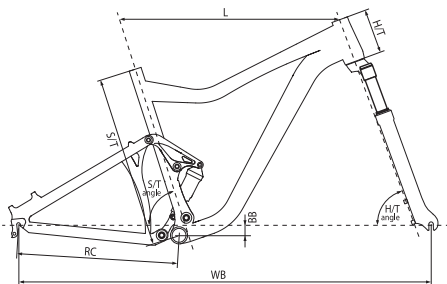




series  
**FULLSUSPENSION**

	26 ALLMOUNTAIN / ENDURO				26 XC MARATHON
	TYKE 10	SWAG 50	SWAG 30	SWAG 10	WANDAL 50
<b>FRAME</b>	Kellys SXC Marathon 650B SWT 6061 / 110mm rear travel	Kellys SFS Supertrail Allmountain-Enduro SWT 7005 / 150mm rear travel	Kellys SFS Supertrail Allmountain-Enduro SWT 7005 / 150mm rear travel	Kellys SFS Supertrail Allmountain-Enduro SWT 7005 / 150mm rear travel	Kellys SXC Marathon SWT 6061 / 110mm rear travel
<b>FRAME SIZE</b>	S (17") / M (19") / L (21")	S (17.5") / M (19") / L (21")	S (17.5") / M (19") / L (21")	S (17.5") / M (19") / L (21")	S (17") / M (19") / L (21")
<b>FORK</b>	SR Suntour XCR RL-R Air (27.5) 120mm, air / Remote Speed Lockout	Rock Shox Sektor Gold TK Solo Air 150mm, air / PushLoc Remote Lockout	Rock Shox Sektor Silver TK Solo Air 140mm, air / PopLoc Remote Lockout	SR Suntour Raidon RL-R 140mm, air / Remote Speed Lockout	Fox 32 Float Evolution O/C CTD 120mm, air / Open Cartridge / CTD 3 / Lockout
<b>HEAD PARTS</b>	KLS Master 1.5 integrated	KLS Race 1.5 integrated	KLS Race 1.5 integrated	KLS Master 1.5 integrated	KLS Race 1.5 integrated
<b>B.B.PARTS</b>	VP cartridge (122.5mm)	-	-	-	-
<b>CRANKSET</b>	KLS Master (44x32x22)	Sram S1400 GXP (38x24)	Sram S1000 GXP (44x33x22)	KLS Race integrated (44x32x22)	Shimano M552 (42x32x24)
<b>SHIFTERS</b>	Shimano Acera SL-M390 Rapidfire Plus	Shimano SLX SL-M670 Rapidfire Plus	Sram X5 10-Speed Trigger	Shimano Acera SL-M390 Rapidfire Plus	Shimano Deore (14) SL-M610 Rapidfire Plus
<b>F/DERAILLEUR</b>	Shimano Alivio M431 (34.9mm)	Shimano SLX M676	Sram X7 10-Speed	Shimano SLX M661	Shimano Deore XT M781 (34.9mm)
<b>R/DERAILLEUR</b>	Shimano Deore M591	Shimano Deore XT M781	Sram X7 10-Speed	Shimano Deore M591	Shimano Deore XT M780
<b>SPEED</b>	27	20	30	27	30
<b>FREEWHEEL</b>	Shimano CS-HG20-9 (11-34)	Sram PG-1030-10 (11-32)	Sram PG-1030-10 (11-32)	Shimano CS-HG20-9 (11-34)	Sram PG-1050-10 (12-36)
<b>CHAIN</b>	KMC X9 (110 links)	KMC X10 (110 links)	KMC X10 (110 links)	KMC X9 (110 links)	KMC X10 (110 links)
<b>BRAKES</b>	Avid DB1 Hydraulic Disc	Shimano SLX M675 Hydraulic Disc	Avid Elixir 3 Hydraulic Disc	Avid DB1 Hydraulic Disc	Shimano M446 Hydraulic Disc
<b>BRAKE ROTORS</b>	160mm front / 160mm rear	180mm front / 180mm rear	180mm front / 180mm rear	180mm front / 180mm rear	160mm front / 160mm rear
<b>BRAKE LEVERS</b>	Avid DB1	Shimano SLX BL-M675	Avid Elixir 3	Avid DB1	Shimano BL-M505
<b>HUBS</b>	Sram MTH-306 Disc (32 holes)	Kellys Stormer 15DH-FR Disc (15mm thru axle) / KLS Disc (32 holes)	Kellys Stormer 15DH-FR Disc (15mm thru axle) / Sram MTH-306 Disc (32 holes)	Sram MTH-306 Disc (32 holes)	Shimano Deore M525 Disc (32 holes)
<b>RIMS</b>	KLS MadMax Disc 584 x 18 (32 holes)	KLS MadMax Disc 559 x 18 (32 holes)	KLS MadMax Disc 559 x 18 (32 holes)	KLS MadMax Disc 559 x 18 (32 holes)	KLS MadMax Disc 559 x 18 (32 holes)
<b>SPOKES</b>	stainless steel black	stainless steel black	stainless steel black	stainless steel black	Sapim - stainless steel black
<b>TIRES</b>	Schwalbe Rapid Rob 57-584 (27.5 x 2.25)	Schwalbe Nobby Nic Performance 57-559 (26 x 2.25)	Schwalbe Nobby Nic Performance 57-559 (26 x 2.25)	Schwalbe Nobby Nic Performance 57-559 (26 x 2.25)	Schwalbe Rocket Ron Performance 57-559 (26 x 2.25)
<b>STEM</b>	KLS Expert (diam 28.6mm / bar bore 31.8mm / 7°)	KLS Master (diam 28.6mm / bar bore 31.8mm / 7°)	KLS Expert (diam 28.6mm / bar bore 31.8mm / 7°)	KLS Expert (diam 28.6mm / bar bore 31.8mm / 7°)	KLS Race (diam 28.6mm / bar bore 31.8mm / 7°)
<b>HANDLEBAR</b>	KLS Expert RiseBar (31.8mm)	KLS Master RiseBar (31.8mm)	KLS Master RiseBar (31.8mm)	KLS Master RiseBar (31.8mm)	KLS Master RiseBar (31.8mm)
<b>GRIPS</b>	KLS Advancer 2Density	KLS Advancer LockOn gel	KLS Advancer LockOn gel	KLS Advancer 2Density	KLS Advancer LockOn gel
<b>SEAT POST</b>	KLS Expert (diam 31.6mm)	KS-eTen Remote Telescopic (diam 31.6mm)	KLS Expert (diam 31.6mm)	KLS Expert (diam 31.6mm)	KLS Master (diam 31.6mm)
<b>SADDLE</b>	KLS Falcon	KLS Havoc	KLS Havoc	KLS Havoc	fi'zi:k Nisene Mg
<b>PEDALS</b>	KLS Master - alloy	Shimano M505 SPD	Shimano M505 SPD	KLS Master - alloy	Shimano M520 SPD
<b>REAR SHOCK</b>	Rock Shox Monarch R Solo Air / Rebound (size 165mm)	Rock Shox Monarch RL Solo Air / Lockout (size 200mm)	Rock Shox Monarch RL Solo Air / Lockout (size 200mm)	Rock Shox Monarch R Solo Air / Rebound (size 200mm)	Fox Float Evolution CTD air / Climb-Trail-Descend (size 165mm)

Specifications are subject to change without notice.



**FULLSUSPENSION 26":** Kellys SFS Supertrail Allmountain-Enduro SWT 7005

size	S/T (mm)	L (mm)	H/T (mm)	S/T angle	H/T angle	BB (mm)	RC (mm)	WB (mm)
S (17.5")	444	585	125	72°	67°	5	440	1153.9
M (19")	484	600.7	125	72°	67°	5	440	1164.3
L (21")	534	616.5	125	72°	67°	5	440	1180.0

model: Swag 50, Swag 30, Swag 10

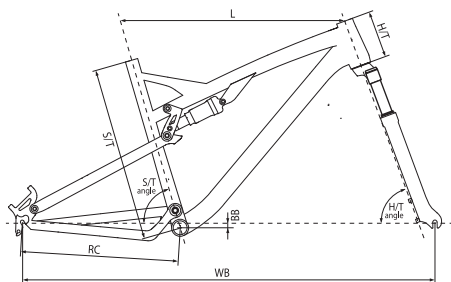


series  
**FULLIES**

series  
**HARDTAIL**

	26 XC MARATHON		29 HARDTAIL		
	WANDAL 30	WANDAL 10	TNT 90	TNT 70	TNT 50
<b>FRAME</b>	Kellys SXC Marathon SWT 6061 / 110mm rear travel	Kellys SXC Marathon SWT 6061 / 110mm rear travel	Kellys RideLite Premium 29 6061 3ple butted - RRC Geometry (Race Ready Concept)	Kellys RideLite Premium 29 6061 3ple butted - RRC Geometry (Race Ready Concept)	Kellys RideLite Premium 29 6061 3ple butted - RRC Geometry (Race Ready Concept)
<b>FRAME SIZE</b>	S (17") / M (19") / L (21")	S (17") / M (19") / L (21")	430mm (17") / 480mm (19") / 530mm (21")	430mm (17") / 480mm (19") / 530mm (21")	430mm (17") / 480mm (19") / 530mm (21")
<b>FORK</b>	Rock Shox Recon Silver TK Solo Air 120mm, air / PopLoc Remote Lockout	SR Suntour XCR RL-R Air 120mm, air / Speed Lockout	Rock Shox Reba RL Solo Air (29) 100mm, air / PushLoc Remote Lockout	Rock Shox Recon Silver TK Solo Air (29) 100mm, air / PopLoc Remote Lockout	Rock Shox XC 32 TK Solo Air (29) 100mm, air / PopLoc Remote Lockout
<b>HEAD PARTS</b>	KLS Race 1.5 integrated	KLS Master 1.5 integrated	KLS Master integrated	KLS Expert integrated	KLS Expert integrated
<b>B.B.PARTS</b>	-	VP cartridge (122.5mm)	-	Shimano Octalink cardridge (113mm)	Shimano Octalink cardridge (113mm)
<b>CRANKSET</b>	KLS Race integrated (44x32x22)	KLS Master (44x32x22)	Shimano Deore XT M780 Hollowtech II (42x32x24)	Shimano M522 Hollowtech Octalink (42x32x24)	Shimano M522 Hollowtech Octalink (42x32x24)
<b>SHIFTERS</b>	Shimano Alivio SL-M430 Rapidfire Plus	Shimano Acera SL-M390 Rapidfire Plus	Shimano SLX SL-M670 Rapidfire Plus	Shimano SLX SL-M670 Rapidfire Plus	Shimano Deore (14) SL-M610 Rapidfire Plus
<b>F/DERAILLEUR</b>	Shimano Alivio M431 (34.9mm)	Shimano Altus (14) M371 (34.9mm)	Shimano Deore XT M781 (34.9mm)	Shimano Deore (14) M611 (34.9mm)	Shimano Deore (14) M611 (34.9mm)
<b>R/DERAILLEUR</b>	Shimano Deore XT M772	Shimano Deore M591	Shimano Deore XT M780	Shimano Deore XT M780	Shimano Deore XT M780
<b>SPEED</b>	27	27	30	30	30
<b>FREEWHEEL</b>	Sram PG-950-9 (11-32)	Shimano CS-HG20-9 (11-34)	Sram PG-1030-10 (11-32)	Sram PG-1030-10 (11-32)	Sram PG-1030-10 (11-32)
<b>CHAIN</b>	KMC X9 (110 links)	KMC X9 (110 links)	KMC X10 (112 links)	KMC X10 (114 links)	KMC X10 (114 links)
<b>BRAKES</b>	Avid DB1 Hydraulic Disc	KLS Helix 7B Hydraulic Disc	Shimano SLX M675 Hydraulic Disc	Avid DB3 Hydraulic Disc	KLS Helix 7B Hydraulic Disc
<b>BRAKE ROTORS</b>	160mm front / 160mm rear	180mm front / 160mm rear	160mm front / 160mm rear	160mm front / 160mm rear	160mm front / 160mm rear
<b>BRAKE LEVERS</b>	Avid DB1	KLS Helix 7B	Shimano SLX BL-M675	Avid DB3	KLS Helix 7B
<b>BRAKE INNER WIRE</b>	-	-	-	-	-
<b>HUBS</b>	Kellys Stormer 15DH-FR Disc (15mm thru axle) / Sram MTH-306 Disc (32 holes)	Sram MTH-306 Disc (32 holes)	-	Kellys Stormer 15DH-FR Disc (15mm thru axle) / Shimano M475 Disc (32 holes)	Shimano M475 Disc (32 holes)
<b>RIMS / WHEELSET</b>	KLS Draft Disc 559 x 19 (32 holes)	KLS Draft Disc 559 x 19 (32 holes)	Mavic Crossone Disc 29 (584) wheelset	KLS Draft Disc 622 x 19 (32 holes)	KLS Draft Disc 622 x 19 (32 holes)
<b>SPOKES</b>	stainless steel black	stainless steel black	-	stainless steel black	stainless steel black
<b>TIRES</b>	Schwalbe Rocket Ron Performance 57-559 (26 x 2.25)	Schwalbe Rocket Ron Performance 57-559 (26 x 2.25)	Schwalbe Rapid Rob 57-622 (29 x 2.25)	Schwalbe Rapid Rob 57-622 (29 x 2.25)	Schwalbe Rapid Rob 57-622 (29 x 2.25)
<b>STEM</b>	KLS Expert (diam 28.6mm / bar bore 31.8mm / 7°)	KLS Expert (diam 28.6mm / bar bore 31.8mm / 7°)	KLS Master (diam 28.6mm / bar bore 31.8mm / 7°)	KLS Expert (diam 28.6mm / bar bore 31.8mm / 7°)	KLS Expert (diam 28.6mm / bar bore 31.8mm / 7°)
<b>HANDLEBAR</b>	KLS Master RiseBar (31.8mm)	KLS Expert RiseBar (31.8mm)	KLS Master (31.8mm)	KLS Expert RiseBar (31.8mm)	KLS Expert RiseBar (31.8mm)
<b>GRIPS</b>	KLS Advancer 2Density	KLS Advancer 2Density	KLS Advancer LockOn gel	KLS Advancer LockOn gel	KLS Advancer LockOn gel
<b>SEAT POST</b>	KLS Master (diam 31.6mm)	KLS Expert (diam 31.6mm)	KLS Master (diam 30.9mm)	KLS Expert (diam 30.9mm)	KLS Expert (diam 30.9mm)
<b>SADDLE</b>	KLS Falcon	KLS Falcon	fizi:k Nisene Mg	KLS Avenger	KLS Avenger
<b>PEDALS</b>	KLS Master - alloy	KLS Master - alloy	Shimano M505 SPD	KLS Master - alloy	KLS Master - alloy
<b>REAR SHOCK</b>	Rock Shox Monarch RL Solo Air / Lockout (size 165mm)	Rock Shox Monarch R Solo Air / Rebound (size 165mm)	-	-	-

Specifications are subject to change without notice.



**FULLSUSPENSION 26": Kellys SXC Marathon 26 SWT 6061**

size	S/T (mm)	L (mm)	H/T (mm)	S/T angle	H/T angle	BB (mm)	RC (mm)	WB (mm)
S (17")	432	595	120	73°	69°	10	435	1112.0
M (19")	480	620	130	73°	69°	10	435	1137.7
L (21")	530	650	140	73°	69°	10	435	1168.5

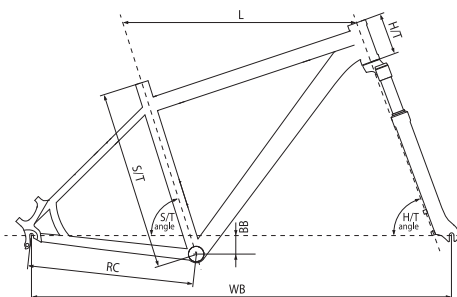
model: Wandal 50, Wandal 30, Wandal 10



series  
**HARDTAIL**

	29 HARDTAIL				27.5 (650B) HARDTAIL
	TNT 30	TNT 20	TNT 10	TNT 05	HACKER 90
<b>FRAME</b>	Kellys RideLite Premium 29 6061 3ple butted - RRC Geometry (Race Ready Concept)	Kellys RideLite Premium 29 6061 3ple butted - RRC Geometry (Race Ready Concept)	Kellys RideLite Premium 29 6061 3ple butted - RRC Geometry (Race Ready Concept)	Kellys RideLite Premium 29 6061 3ple butted - RRC Geometry (Race Ready Concept)	Kellys iCAD HT Carbon Composite
<b>FRAME SIZE</b>	430mm (17") / 480mm (19") / 530mm (21")	430mm (17") / 480mm (19") / 530mm (21")	430mm (17") / 480mm (19") / 530mm (21")	WHITE 430mm (17") / 480mm (19") / 530mm (21") TITANIUM 430mm (17") / 480mm (19") / 530mm (21")	S / M / L
<b>FORK</b>	SR Suntour XCR RL-R Air (29) 100mm, air / Remote Speed Lockout	SR Suntour XCM HLD (29) 100mm, coil / Speed Lockout	SR Suntour XCT MLD (29) 100mm, coil / Mechanical Lockout	SR Suntour M3020 MLD (29) 75mm, coil / Mechanical Lockout	Fox 32 Float Factory FIT CTD Remote - Kashima Coat (27.5) 100mm, air / FIT Damper Technology / CTD 3 / Remote Lockout
<b>HEAD PARTS</b>	KLS Expert integrated	KLS Expert integrated	integrated	integrated	KLS Race 1.5 integrated
<b>B.B.PARTS</b>	-	VP cartridge (122.5mm)	SR Suntour cartridge (113mm)	SR Suntour cartridge (122mm)	-
<b>CRANKSET</b>	KLS Race integrated (44x32x22)	KLS Master (44x32x22)	SR Suntour XCT (42x32x22)	SR Suntour NEX (42x34x24)	Shimano XTR M985 Hollowtech II (42x30)
<b>SHIFTERS</b>	Shimano Alivio SL-M430 Rapidfire Plus	Shimano Acera SL-M390 Rapidfire Plus	Shimano Altus (14) SL-M370 Rapidfire Plus	Shimano ST-EF51-8 EZ-fire Plus	Shimano XTR SL-M980 Rapidfire Plus
<b>F/DERAILLEUR</b>	Shimano Alivio M431 (34.9mm)	Shimano Altus M371 (34.9mm)	Shimano Altus (14) M371 (34.9mm)	Shimano M190 (34.9mm)	Shimano XTR M986 (34.9mm)
<b>R/DERAILLEUR</b>	Shimano Deore M591	Shimano Alivio M430	Shimano Acera M390	Shimano Acera M360	Shimano XTR M980
<b>SPEED</b>	27	27	27	24	20
<b>FREEWHEEL</b>	Sram PG-950-9 (11-32)	Sram PG-950-9 (11-32)	Shimano CS-HG20-9 (11-34)	Shimano CS-HG31-8 (11-34)	Shimano CS-M771-10 (11-36)
<b>CHAIN</b>	KMC X9 (114 links)	KMC X9 (114 links)	KMC X9 (114 links)	KMC Z7 (114 links)	Shimano CN-HG74 (110 links)
<b>BRAKES</b>	Avid DB1 Hydraulic Disc	Avid DB1 Hydraulic Disc	Avid DB1 Hydraulic Disc	Tektro V-brake	Shimano XTR M985 Hydraulic Disc
<b>BRAKE ROTORS</b>	160mm front / 160mm rear	160mm front / 160mm rear	160mm front / 160mm rear	-	160mm front / 160mm rear
<b>BRAKE LEVERS</b>	Avid DB1	Avid DB1	Avid DB1	Shimano ST-EF51-8 EZ-fire Plus	Shimano XTR BL-M988
<b>BRAKE INNER WIRE</b>	-	-	-	Driving Force SCS (SlickCableSystem)	-
<b>HUBS</b>	Sram MTH-306 Disc (32 holes)	Sram MTH-306 Disc (32 holes)	Sram MTH-306 Disc (32 holes)	alloy (32 holes)	-
<b>RIMS / WHEELSET</b>	KLS Draft Disc 622 x 19 (32 holes)	KLS Draft Disc 622 x 19 (32 holes)	KLS Draft Disc 622 x 19 (32 holes)	KLS Draft 622 x 19 (32 holes)	Crank Brothers Cobalt 2 27.5 (650 B) wheelset
<b>SPOKES</b>	stainless steel black	stainless steel black	stainless steel black	stainless steel black	-
<b>TIRES</b>	Schwalbe Rapid Rob 57-622 (29 x 2.25)	KLS 54-622 (29 x 2.10)	KLS 54-622 (29 x 2.10)	KLS 54-622 (29 x 2.10)	Schwalbe Racing Ralph Performance 57-584 (27.5 x 2.25) folding
<b>STEM</b>	KLS Expert (diam 28.6mm / bar bore 31.8mm / 7°)	KLS Expert (diam 28.6mm / bar bore 31.8mm / 7°)	KLS Expert (diam 28.6mm / bar bore 31.8mm / 7°)	KLS Expert (diam 28.6mm / bar bore 31.8mm / 7°)	KLS RacePro Carbon (diam 28.6mm / bar bore 31.8mm / 7°)
<b>HANDLEBAR</b>	KLS Expert RiseBar (31.8mm)	KLS Expert RiseBar (31.8mm)	KLS Expert RiseBar (31.8mm)	KLS Expert RiseBar (31.8mm)	KLS RacePro Carbon (31.8mm)
<b>GRIPS</b>	KLS Advancer 2Density	KLS Advancer 2Density	KLS Advancer 2Density	KLS Advancer 2Density	KLS Lite foam
<b>SEAT POST</b>	KLS Expert (diam 30.9mm)	KLS Expert (diam 30.9mm)	Kalloy (diam 30.9mm)	Kalloy (diam 30.9mm)	KLS RacePro Carbon (diam 31.6mm)
<b>SADDLE</b>	KLS Avenger	KLS Avenger	KLS Avenger	KLS Avenger	fi'zi:k Gobi XM Mg
<b>PEDALS</b>	KLS Master - alloy	KLS Master - alloy	plastic	plastic	Shimano M520 SPD

Specifications are subject to change without notice.



**HARDTAIL 29":** Kellys RideLite Premium 29 6061 triple butted - RRC Geometry (Race Ready Concept)

size	S/T (mm)	L (mm)	H/T (mm)	S/T angle	H/T angle	BB (mm)	RC (mm)	WB (mm)
430mm (17")	430	600	100	72.5°	70°	53	450	1106.0
480mm (19")	480	620	110	72.5°	70°	53	450	1126.4
530mm (21")	530	640	120	72.5°	70°	53	450	1147.0

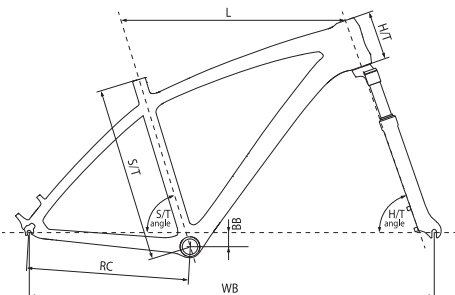
model: TNT 90, TNT 70, TNT 50, TNT 30, TNT 20, TNT 10, TNT 05

series  
**HARDTAIL**

27.5 (650B) HARDTAIL

	HACKER 50	HACKER 30	HACKER 10	THORX 90	THORX 50
<b>FRAME</b>	Kellys iCAD HT Carbon Composite	Kellys iCAD HT Carbon Composite	Kellys iCAD HT Carbon Composite	Kellys 6BOX SWT 6061 3ple butted - Race Geometry	Kellys 6BOX SWT 6061 3ple butted - Race Geometry
<b>FRAME SIZE</b>	S / M / L	S / M / L	S / M / L	S / M / L	S / M / L
<b>FORK</b>	Fox 32 Float Evolution D/C CTD Remote (27.5) 100mm, air / Open Cartridge / CTD 3 / Remote Lockout	Rock Shox Reba RL Solo Air (27.5), 100mm, air / Motion Control / PushLoc Remote Lockout	Rock Shox 30 Gold TK Solo Air (27.5) 100mm, air / PopLoc Remote Lockout	Rock Shox Reba RL Solo Air (27.5) 100mm, air / Motion Control / PushLoc Remote Lockout	Rock Shox Recon Gold TK Solo Air (27.5) 100mm, air / PushLoc Remote Lockout
<b>HEAD PARTS</b>	KLS Race 1.5 integrated	KLS Master 1.5 integrated	KLS Master 1.5 integrated	KLS Master 1.5 integrated	KLS Master 1.5 integrated
<b>B.B.PARTS</b>	-	-	-	-	-
<b>CRANKSET</b>	Shimano Deore XT M785 Holowtech II (40x28)	Shimano M552 (42x32x24)	Sram S1000 GXP (44x33x22)	Shimano SLX M675 Holowtech II (40x28)	Shimano M552 (42x32x24)
<b>SHIFTERS</b>	Shimano SLX SL-M670 Rapidfire Plus	Shimano Deore (14) SL-M610 Rapidfire Plus	Sram X5 10-Speed Trigger	Shimano SLX SL-M670 Rapidfire Plus	Shimano SLX SL-M670 Rapidfire Plus
<b>F/DERAILLEUR</b>	Shimano SLX M671 (34.9mm)	Shimano Deore (14) M611 (34.9mm)	Sram X5 10-Speed (34.9mm)	Shimano SLX M671 (34.9mm)	Shimano SLX M671 (34.9mm)
<b>R/DERAILLEUR</b>	Shimano Deore XT M780	Shimano Deore XT M780	Sram X7 10-Speed	Shimano Deore XT M780	Shimano Deore XT M780
<b>SPEED</b>	20	30	30	20	30
<b>FREEWHEEL</b>	Sram PG-1030-10 (11-32)	Sram PG-1030-10 (11-32)	Sram PG-1030-10 (11-32)	Sram PG-1030-10 (11-32)	Sram PG-1030-10 (11-32)
<b>CHAIN</b>	KMC X10 (108 links)	KMC X10 (108 links)	KMC X10 (108 links)	KMC X10 (108 links)	KMC X10 (108 links)
<b>BRAKES</b>	Shimano SLX M675 Hydraulic Disc	Shimano M446 Hydraulic Disc	Avid Elixir 3 Hydraulic Disc	Shimano SLX M675 Hydraulic Disc	Shimano M446 Hydraulic Disc
<b>BRAKE ROTORS</b>	160mm front / 160mm rear	160mm front / 160mm rear	160mm front / 160mm rear	160mm front / 160mm rear	160mm front / 160mm rear
<b>BRAKE LEVERS</b>	Shimano SLX BL-M675	Shimano BL-M505	Avid Elixir 3	Shimano SLX BL-M675	Shimano BL-M505
<b>HUBS</b>	-	Shimano Deore M525 Disc (32 holes)	Shimano M475 Disc (32 holes)	-	Kellys Stormer 15DH-FR Disc (15mm thru axle) / Shimano Deore M525 Disc (32 holes)
<b>RIMS / WHEELSET</b>	Mavic Crossone Disc 27.5 (584) wheelset	KLS MadMax Disc 584 x 18 (32 holes)	KLS MadMax Disc 584 x 18 (32 holes)	Mavic Crossone Disc 27.5 (584) wheelset	KLS MadMax Disc 584 x 18 (32 holes)
<b>SPOKES</b>	-	Sapim - stainless steel black	Sapim - stainless steel black	-	Sapim - stainless steel black
<b>TIRES</b>	Schwalbe Racing Ralph Performance 57-584 (27.5 x 2.25) folding	Schwalbe Rapid Rob 57-584 (27.5 x 2.25)	Schwalbe Rapid Rob 57-584 (27.5 x 2.25)	Schwalbe Racing Ralph Performance 57-584 (27.5 x 2.25) folding	Schwalbe Rapid Rob 57-584 (27.5 x 2.25)
<b>STEM</b>	KLS Race (diam 28.6mm / bar bore 31.8mm / 7°)	KLS Race (diam 28.6mm / bar bore 31.8mm / 7°)	KLS Master (diam 28.6mm / bar bore 31.8mm / 7°)	KLS Race (diam 28.6mm / bar bore 31.8mm / 7°)	KLS Master (diam 28.6mm / bar bore 31.8mm / 7°)
<b>HANDLEBAR</b>	KLS Race (31.8mm)	KLS Race (31.8mm)	KLS Master RiseBar (31.8mm)	KLS Master RiseBar (31.8mm)	KLS Master RiseBar (31.8mm)
<b>GRIPS</b>	KLS Advancer LockOn gel	KLS Advancer LockOn gel	KLS Advancer LockOn gel	KLS Lite foam	KLS Advancer LockOn gel
<b>SEAT POST</b>	KLS Race (diam 31.6mm)	KLS Race (diam 31.6mm)	KLS Master (diam 31.6mm)	KLS Master (diam 31.6mm)	KLS Master (diam 31.6mm)
<b>SADDLE</b>	fi'zi:k Gobi XM Mg	fi'zi:k Nisene Mg	KLS Falcon	KLS Falcon	KLS Falcon
<b>PEDALS</b>	Shimano M520 SPD	Shimano M505 SPD	Shimano M505 SPD	Shimano M505 SPD	Shimano M505 SPD

Specifications are subject to change without notice.



**HARDTAIL 27.5" (650B):** Kellys iCAD HT Carbon Composite

size	S/T (mm)	L (mm)	H/T (mm)	S/T angle	H/T angle	BB (mm)	RC (mm)	WB (mm)
S	430	574.3	115	72°	70°	32	423	1056.7
M	460	590	130	72°	70°	32	423	1073.2
L	500	605	155	73°	70°	32	423	1100.7

model: Hacker 90, Hacker 50, Hacker 30, Hacker 10

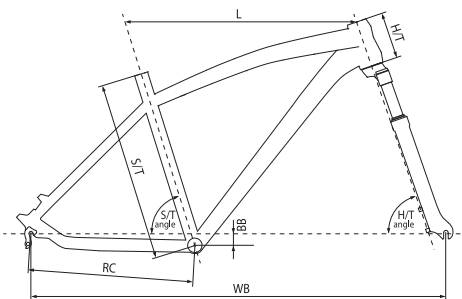


series  
**HARDTAIL**

27.5 (650B) HARDTAIL

	THORX 30	THORX 10	MADMAN 50	MADMAN 30	MADMAN 10
<b>FRAME</b>	Kellys 6BOX SWT 6061 3ple butted - Race Geometry	Kellys 6BOX SWT 6061 3ple butted - Race Geometry	Kellys Alutec Avant 6061 DRT 650B	Kellys Alutec Avant 6061 DRT 650B	Kellys Alutec Avant 6061 DRT 650B
<b>FRAME SIZE</b>	S / M / L	S / M / L	430mm (17") / 480mm (19") / 530mm (21")	430mm (17") / 480mm (19") / 530mm (21")	430mm (17") / 480mm (19") / 530mm (21")
<b>FORK</b>	Rock Shox 30 Gold TK Solo Air (27.5) 100mm, air / PopLoc Remote Lockout	Rock Shox XC 30 TK (27.5) 100mm, coil / TurnKey Lockout	Rock Shox XC 30 TK (27.5) 100mm, coil / PopLoc Remote Lockout	SR Suntour XCM RL (27.5) 100mm, coil / Remote Speed Lockout	SR Suntour XCT MLO (27.5) 100mm, coil / Mechanical Lockout
<b>HEAD PARTS</b>	KLS Master 1.5 integrated	KLS Master 1.5 integrated	KLS Expert integrated	semi-integrated	semi-integrated
<b>B.B.PARTS</b>	-	-	Shimano Octalink cardridge (113mm)	VP cartridge (126mm)	VP cartridge (122.5mm)
<b>CRANKSET</b>	Shimano M552 (42x32x24)	Shimano Deore XT M780 Hollowtech II (42x32x24)	Shimano M522 Hollowtech Octalink (42x32x24)	Shimano Acera M391 (44x32x22)	KLS Master (44x32x22)
<b>SHIFTERS</b>	Shimano Deore (14) SL-M610 Rapidfire Plus	Shimano Deore (14) SL-M610 Rapidfire Plus	Shimano Deore (14) SL-M610 Rapidfire Plus	Shimano Acera SL-M390 Rapidfire Plus	Shimano Altus (14) SL-M370 Rapidfire Plus
<b>F/DERAILLEUR</b>	Shimano Deore (14) M611 (34.9mm)	Shimano Deore (14) M611 (34.9mm)	Shimano Deore (14) M611 (34.9mm)	Shimano Acera M390 (34.9mm)	Shimano Acera M390 (34.9mm)
<b>R/DERAILLEUR</b>	Shimano Deore XT M780	Shimano Deore XT M780	Shimano Deore (14) M610	Shimano Deore M591	Shimano Alivio M430
<b>SPEED</b>	30	30	30	27	27
<b>FREEWHEEL</b>	Sram PG-1030-10 (11-32)	Sram PG-1030-10 (11-32)	Sram PG-1030-10 (11-32)	Sram PG-950-9 (11-32)	Sram PG-950-9 (11-32)
<b>CHAIN</b>	KMC X10 (108 links)	KMC X10 (108 links)	KMC X10 (114 links)	KMC X9 (114 links)	KMC X9 (114 links)
<b>BRAKES</b>	Avid DB3 Hydraulic Disc	Avid DB3 Hydraulic Disc	Avid DB3 Hydraulic Disc	Avid DB1 Hydraulic Disc	Avid DB1 Hydraulic Disc
<b>BRAKE ROTORS</b>	160mm front / 160mm rear	160mm front / 160mm rear	160mm front / 160mm rear	160mm front / 160mm rear	160mm front / 160mm rear
<b>BRAKE LEVERS</b>	Avid DB3	Avid DB3	Avid DB3	Avid DB1	Avid DB1
<b>HUBS</b>	Shimano M475 Disc (32 holes)	Sram MTH-306 Disc (32 holes)	Sram MTH-306 Disc (32 holes)	Sram MTH-306 Disc (32 holes)	Sram MTH-306 Disc (32 holes)
<b>RIMS</b>	KLS MadMax Disc 584 x 18 (32 holes)	KLS MadMax Disc 584 x 18 (32 holes)	KLS Draft Disc 584 x 19 (32 holes)	KLS Draft Disc 584 x 19 (32 holes)	KLS Draft Disc 584 x 19 (32 holes)
<b>SPOKES</b>	stainless steel black	stainless steel black	stainless steel black	stainless steel black	stainless steel black
<b>TIRES</b>	Schwalbe Rapid Rob 57-584 (27.5 x 2.25)	Schwalbe Rapid Rob 57-584 (27.5 x 2.25)	Schwalbe Rapid Rob 57-584 (27.5 x 2.25)	Schwalbe Rapid Rob 57-584 (27.5 x 2.25)	Schwalbe Rapid Rob 57-584 (27.5 x 2.25)
<b>STEM</b>	KLS Expert (diam 28.6mm / bar bore 31.8mm / 7°)	KLS Expert (diam 28.6mm / bar bore 31.8mm / 7°)	KLS Expert (diam 28.6mm / bar bore 31.8mm / 7°)	KLS Expert (diam 28.6mm / bar bore 31.8mm / 7°)	KLS Expert (diam 28.6mm / bar bore 31.8mm / 7°)
<b>HANDLEBAR</b>	KLS Expert RiseBar (31.8mm)	KLS Expert RiseBar (31.8mm)	KLS Expert RiseBar (31.8mm)	KLS Expert RiseBar (31.8mm)	KLS Expert RiseBar (31.8mm)
<b>GRIPS</b>	KLS Advancer 2Density	KLS Advancer 2Density	KLS Advancer 2Density	KLS Advancer 2Density	KLS Advancer 2Density
<b>SEAT POST</b>	KLS Expert (diam 31.6mm)	KLS Expert (diam 31.6mm)	KLS Expert (diam 30.9mm)	KLS Expert (diam 30.9mm)	KLS Expert (diam 30.9mm)
<b>SADDLE</b>	KLS Falcon	KLS Falcon	KLS Apex	KLS Apex	KLS Apex
<b>PEDALS</b>	KLS Master - alloy	Shimano M505 SPD	KLS Master - alloy	KLS Master - alloy	KLS Master - alloy

Specifications are subject to change without notice.



**HARDTAIL 27.5" (650B):** Kellys 6BOX SWT 6061 3ple butted - Race Geometry

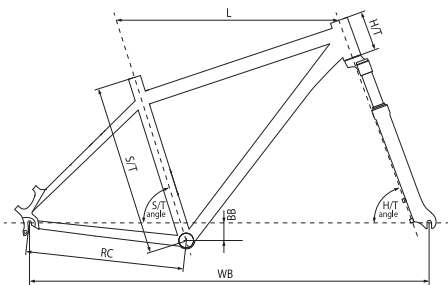
size	S/T (mm)	L (mm)	H/T (mm)	S/T angle	H/T angle	BB (mm)	RC (mm)	WB (mm)
S	415	580	110	73°	70°	42	430	1071.8
M	465	600	120	73°	70°	42	430	1092.3
L	515	620	140	73°	70°	42	430	1113.4

model: Thorx 90, Thorx 50, Thorx 30, Thorx 10

series  
**HARDTAIL**

	27.5 (650B) HARDTAIL		26 HARDTAIL		
	MADMAN 05	MADMAN	SPIDER 90	SPIDER 70	SPIDER 50
<b>FRAME</b>	Kellys Alutec Avant 6061 DRT 650B	Kellys Alutec Avant 6061 DRT 650B	Kellys Alutec Avant 6061 RRC Geometry (Race Ready Concept)	Kellys Alutec Avant 6061 RRC Geometry (Race Ready Concept)	Kellys Alutec Avant 6061 RRC Geometry (Race Ready Concept)
<b>FRAME SIZE</b>	430mm (17") / 480mm (19") / 530mm (21")	430mm (17") / 480mm (19") / 530mm (21")	445mm (17.5") / 495mm (19.5") / 545mm (21.5")	445mm (17.5") / 495mm (19.5") / 545mm (21.5")	395mm (15.5") / 445mm (17.5") / 495mm (19.5") / 545mm (21.5")
<b>FORK</b>	SR Suntour XCT MLD (27.5) 100mm, coil / Mechanical Lockout	SR Suntour XCT (27.5) 100mm, coil spring	Rock Shox XC 32 TK Solo Air 100mm, air / PopLoc Remote Lockout	SR Suntour XCR RL-R Air 100mm, air / Remote Speed Lockout	Rock Shox XC 32 TK 100mm, coil / TurnKey Lockout
<b>HEAD PARTS</b>	integrated	integrated	KLS Expert integrated	KLS Expert integrated	KLS Expert integrated
<b>B.B.PARTS</b>	SR Suntour cartridge (113mm)	SR Suntour cartridge (122mm)	Shimano Octalink cartridge (113mm)	Shimano Octalink cartridge (113mm)	-
<b>CRANKSET</b>	SR Suntour XCT (42x32x22)	SR Suntour NEX (42x34x24)	Shimano M522 Hollowtech Octalink (42x32x24)	Shimano M522 Hollowtech Octalink (42x32x24)	KLS Race integrated (44x32x22)
<b>SHIFTERS</b>	Shimano SL-M310 Rapidfire Plus	Shimano ST-EF51-8 EZ-fire Plus	Shimano Deore (014) SL-M610 Rapidfire Plus	Shimano Deore (014) SL-M610 Rapidfire Plus	Shimano Alivio SL-M430 Rapidfire Plus
<b>F/DERAILLEUR</b>	Shimano M190 (34.9mm)	Shimano M190 (34.9mm)	Shimano Deore (014) M611 (34.9mm)	Shimano Deore (014) M611 (34.9mm)	Shimano Alivio M431 (34.9mm)
<b>R/DERAILLEUR</b>	Shimano Alivio M430	Shimano Altus M280	Shimano Deore XT M780	Shimano Deore XT M780	Shimano Deore M591
<b>SPEED</b>	24	24	30	30	27
<b>FREEWHEEL</b>	Shimano CS-HG31-8 (11-34)	Shimano CS-HG31-8 (11-34)	Sram PG-1030-10 (11-32)	Sram PG-1030-10 (11-32)	Shimano CS-HG20-9 (11-34)
<b>CHAIN</b>	KMC Z7 (108 links)	KMC Z7 (108 links)	KMC X10 (108 links)	KMC X10 (108 links)	KMC X9 (108 links)
<b>BRAKES</b>	Avid DB1 Hydraulic Disc	Zoom Mechanical Disc	Avid DB3 Hydraulic Disc	KLS Helix 7B Hydraulic Disc	KLS Helix 7B Hydraulic Disc
<b>BRAKE ROTORS</b>	160mm front / 160mm rear	160mm front / 160mm rear	160mm front / 160mm rear	160mm front / 160mm rear	160mm front / 160mm rear
<b>BRAKE LEVERS</b>	Avid DB1	Shimano ST-EF51-8 EZ-fire Plus	Avid DB3	KLS Helix 7B	KLS Helix 7B
<b>BRAKE INNER WIRE</b>	-	Driving Force SCS (SlickCableSystem)	-	-	-
<b>HUBS</b>	Sram MTH-306 Disc (32 holes)	Sram MTH-306 Disc (32 holes)	Sram MTH-306 Disc (32 holes)	Sram MTH-306 Disc (32 holes)	Sram MTH-306 Disc (32 holes)
<b>RIMS</b>	KLS Draft Disc 584 x 19 (32 holes)	KLS Draft Disc 584 x 19 (32 holes)	KLS Draft Disc 559 x 19 (32 holes)	KLS Draft Disc 559 x 19 (32 holes)	KLS Draft Disc 559 x 19 (32 holes)
<b>SPOKES</b>	stainless steel black	stainless steel black	stainless steel black	stainless steel black	stainless steel black
<b>TIRES</b>	KLS 54-584 (27.5 x 2.10)	KLS 54-584 (27.5 x 2.10)	Schwalbe Rocket Ron Performance 57-559 (26 x 2.25)	Schwalbe Rocket Ron Performance 57-559 (26 x 2.25)	Schwalbe Rocket Ron Performance 57-559 (26 x 2.25)
<b>STEM</b>	KLS Expert (diam 28.6mm / bar bore 31.8mm / 7°)	KLS Expert (diam 28.6mm / bar bore 31.8mm / 7°)	KLS Expert (diam 28.6mm / bar bore 31.8mm / 7°)	KLS Expert (diam 28.6mm / bar bore 31.8mm / 7°)	KLS Expert (diam 28.6mm / bar bore 31.8mm / 7°)
<b>HANDLEBAR</b>	KLS Expert RiseBar (31.8mm)	KLS Expert RiseBar (31.8mm)	KLS Expert RiseBar (31.8mm)	KLS Expert RiseBar (31.8mm)	KLS Expert RiseBar (31.8mm)
<b>GRIPS</b>	KLS Advancer 2Density	KLS Advancer 2Density	KLS Advancer LocOn gel	KLS Advancer 2Density	KLS Advancer 2Density
<b>SEAT POST</b>	KLS Expert (diam 30.9mm)	KLS Expert (diam 30.9mm)	KLS Expert (diam 30.9mm)	KLS Expert (diam 30.9mm)	KLS Expert (diam 30.9mm)
<b>SADDLE</b>	KLS Apex	KLS Apex	KLS Apex	KLS Apex	KLS Apex
<b>PEDALS</b>	plastic	plastic	KLS Master - alloy	KLS Master - alloy	KLS Master - alloy

Specifications are subject to change without notice.



**HARDTAIL 27.5" (650B):** Kellys Alutec Avant DRT 650B

size	S/T (mm)	L (mm)	H/T (mm)	S/T angle	H/T angle	BB (mm)	RC (mm)	WB (mm)
430mm (17")	430	585	110	73°	70°	43	430	1076.7
480mm (19")	480	606	120	73°	70°	43	430	1098.2
530mm (21")	530	624	130	73°	70°	43	430	1116.8

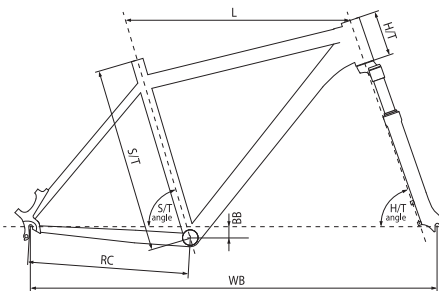
model: Madman 50, Madman 30, Madman 10, Madman 05, Madman



series  
**HARDTAIL**

26 HARDTAIL					
	SPIDER 40	SPIDER 30	SPIDER 20	SPIDER 10	VIPER 60
<b>FRAME</b>	Kellys Alutec Avant 6061 RRC Geometry (Race Ready Concept)	Kellys Alutec Avant 6061 RRC Geometry (Race Ready Concept)	Kellys Alutec Avant 6061 RRC Geometry (Race Ready Concept)	Kellys Alutec Avant 6061 RRC Geometry (Race Ready Concept)	Kellys Alutec Lite 6061 RRC Geometry (Race Ready Concept)
<b>FRAME SIZE</b>	445mm (17.5") / 495mm (19.5") / 545mm (21.5")	VAMP 445mm (17.5") / 495mm (19.5") / 545mm (21.5") TURQUOISE 395mm (15.5") / 445mm (17.5") / 495mm (19.5") / 545mm (21.5")	LIME ACCENT 395mm (15.5") / 445mm (17.5") / 495mm (19.5") / 545mm (21.5") PINK ACCENT 395mm (15.5") / 445mm (17.5") / 495mm (19.5") / 545mm (21.5")	395mm (15.5") / 445mm (17.5") / 495mm (19.5") / 545mm (21.5") / 580mm (23")	VAMP 395mm (15.5") / 445mm (17.5") / 495mm (19.5") / 545mm (21.5") DARK LIME 395mm (15.5") / 445mm (17.5") / 495mm (19.5") / 545mm (21.5")
<b>FORK</b>	SR Suntour XCR LO 100mm, coil / Speed Lockout	SR Suntour XCM HLO 100mm, coil / Speed Lockout	SR Suntour XCT MLO 100mm, coil / Mechanical Lockout	SR Suntour XCM HLO 100mm, coil / Speed Lockout	SR Suntour XCT MLO 100mm, coil / Mechanical Lockout
<b>HEAD PARTS</b>	KLS Expert integrated	KLS Expert integrated	integrated	KLS Expert integrated	semi-integrated
<b>B.B.PARTS</b>	VP cartridge (126mm)	VP cartridge (122.5mm)	VP cartridge (122.5mm)	VP cartridge (126mm)	SR Suntour cartridge (113mm)
<b>CRANKSET</b>	Shimano Acera M391 (44x32x22)	KLS Master (44x32x22)	KLS Master (44x32x22)	Shimano Acera M391 (44x32x22)	SR Suntour XCT (42x32x22)
<b>SHIFTERS</b>	Shimano Acera SL-M390 Rapidfire Plus	Shimano Acera SL-M390 Rapidfire Plus	Shimano Altus (14) SL-M370 Rapidfire Plus	Shimano Altus (14) SL-M370 Rapidfire Plus	Shimano SL-M310 Rapidfire Plus
<b>F/DERAILLEUR</b>	Shimano Alivio M431 (34.9mm)	Shimano Acera M390 (34.9mm)	Shimano Altus (14) M371 (34.9mm)	Shimano Altus (14) M371 (34.9mm)	Shimano M190 (31.8mm)
<b>R/DERAILLEUR</b>	Shimano Deore M591	Shimano Deore M591	Shimano Alivio M430	Shimano Deore M591	Shimano Deore M591
<b>SPEED</b>	27	27	27	27	24
<b>FREEWHEEL</b>	Shimano CS-HG20-9 (11-34)	Shimano CS-HG20-9 (11-34)	Shimano CS-HG20-9 (11-34)	Shimano CS-HG20-9 (11-34)	Shimano CS-HG31-8 (11-34)
<b>CHAIN</b>	KMC X9 (108 links)	KMC X9 (108 links)	KMC X9 (108 links)	KMC X9 (108 links)	KMC Z7 (108 links)
<b>BRAKES</b>	Avid DB1 Hydraulic Disc	Avid DB1 Hydraulic Disc	Avid DB1 Hydraulic Disc	Tektro V-brake	Avid DB1 Hydraulic Disc
<b>BRAKE ROTORS</b>	160mm front / 160mm rear	160mm front / 160mm rear	160mm front / 160mm rear	-	160mm front / 160mm rear
<b>BRAKE LEVERS</b>	Avid DB1	Avid DB1	Avid DB1	Tektro	Avid DB1
<b>BRAKE INNER WIRE</b>	-	-	-	Driving Force SCS (SlickCableSystem)	-
<b>HUBS</b>	Sram MTH-306 Disc (32 holes)	Sram MTH-306 Disc (32 holes)	Sram MTH-306 Disc (32 holes)	alloy (32 holes)	Sram MTH-306 Disc (32 holes)
<b>RIMS</b>	KLS Draft Disc 559 x 19 (32 holes)	KLS Draft Disc 559 x 19 (32 holes)	KLS Draft Disc 559 x 19 (32 holes)	KLS Draft 559 x 19 (32 holes)	KLS Draft Disc 559 x 19 (32 holes)
<b>SPOKES</b>	stainless steel black	stainless steel black	stainless steel black	stainless steel	stainless steel
<b>TIRES</b>	Schwalbe Rapid Rob 54-559 (26 x 2.10)	Schwalbe Rapid Rob 54-559 (26 x 2.10)	Schwalbe Rapid Rob 54-559 (26 x 2.10)	KLS 54-559 (26 x 2.10)	KLS 54-559 (26 x 2.10)
<b>STEM</b>	KLS Expert (diam 28.6mm / bar bore 31.8mm / 7°)	KLS Expert (diam 28.6mm / bar bore 31.8mm / 7°)	KLS Expert (diam 28.6mm / bar bore 31.8mm / 7°)	KLS Expert (diam 28.6mm / bar bore 31.8mm / 7°)	Kalloy (diam 28.6mm / 15°)
<b>HANDLEBAR</b>	KLS Expert RiseBar (31.8mm)	KLS Expert RiseBar (31.8mm)	KLS Expert RiseBar (31.8mm)	KLS Expert RiseBar (31.8mm)	steel RiseBar (diam 25.4mm)
<b>GRIPS</b>	KLS Advancer 2Density	KLS Advancer 2Density	KLS Advancer 2Density	KLS Advancer 2Density	KLS Advancer 2Density
<b>SEAT POST</b>	KLS Expert (diam 30.9mm)	KLS Expert (diam 30.9mm)	KLS Expert (diam 30.9mm)	KLS Expert (diam 30.9mm)	Kalloy (diam 27.2mm)
<b>SADDLE</b>	KLS Apex	KLS Apex	KLS Apex	KLS Apex	KLS Apex
<b>PEDALS</b>	KLS Master - alloy	KLS Master - alloy	KLS Master - alloy	KLS Master - alloy	plastic

Specifications are subject to change without notice.



**HARDTAIL 26"™**: Kellys Alutec Avant 6061 - RRC Geometry (Race Ready Concept)

size	S/T (mm)	L (mm)	H/T (mm)	S/T angle	H/T angle	BB (mm)	RC (mm)	WB (mm)
395mm (15.5")	395	560	100	72.5°	70°	32	420	1037.1
445mm (17.5")	445	580	110	72.5°	70°	32	420	1057.6
495mm (19.5")	495	600	120	72.5°	70°	32	420	1078.1
545mm (21.5")	545	620	140	72.5°	70°	32	420	1099.0
580mm (23")	580	640	160	72.5°	70°	32	420	1119.9

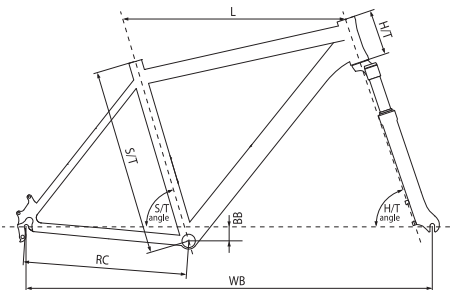
model: Spider 90, Spider 70, Spider 50, Spider 40, Spider 30, Spider 20, Spider 10



series  
**HARDTAIL**

26 HARDTAIL					
	VIPER 50	VIPER 40	VIPER 30	VIPER 20	VIPER 10
<b>FRAME</b>	Kellys Alutec Lite 6061 RRC Geometry (Race Ready Concept)	Kellys Alutec Lite 6061 RRC Geometry (Race Ready Concept)	Kellys Alutec Lite 6061 RRC Geometry (Race Ready Concept)	Kellys Alutec Lite 6061 RRC Geometry (Race Ready Concept)	Kellys Alutec Lite 6061 RRC Geometry (Race Ready Concept)
<b>FRAME SIZE</b>	TITANIUM 395mm (15.5") / 445mm (17.5") / 495mm (19.5") / 545mm (21.5") BLACK YELLOW 395mm (15.5") / 445mm (17.5") / 495mm (19.5") / 545mm (21.5")	HELIX 395mm (15.5") / 445mm (17.5") / 495mm (19.5") / 545mm (21.5") SHADOW GOLD 395mm (15.5") / 445mm (17.5") / 495mm (19.5") / 545mm (21.5")	RACE WHITE 395mm (15.5") / 445mm (17.5") / 495mm (19.5") / 545mm (21.5") GREY 395mm (15.5") / 445mm (17.5") / 495mm (19.5") / 545mm (21.5")	RACE BLACK 395mm (15.5") / 445mm (17.5") / 495mm (19.5") / 545mm (21.5") GREEN 395mm (15.5") / 445mm (17.5") / 495mm (19.5") / 545mm (21.5")	BLACK GREEN 395mm (15.5") / 445mm (17.5") / 495mm (19.5") / 545mm (21.5") PHOENIX RED 395mm (15.5") / 445mm (17.5") / 495mm (19.5") / 545mm (21.5")
<b>FORK</b>	SR Suntour XCT 100mm, coil spring	SR Suntour XCT 100mm, coil spring	SR Suntour XCT 100mm, coil spring	SR Suntour XCT 100mm, coil spring	SR Suntour M3020 A 75mm, coil spring
<b>HEAD PARTS</b>	semi-integrated	semi-integrated	semi-integrated	semi-integrated	semi-integrated
<b>B.B.PARTS</b>	SR Suntour cartridge (113mm)	SR Suntour cartridge (122mm)	VP cartridge (120mm)	VP cartridge (120mm)	VP cartridge (120mm)
<b>CRANKSET</b>	SR Suntour XCT (42x32x22)	SR Suntour NEX (42x34x24)	Prowheel (42x34x24)	Prowheel (42x34x24)	Prowheel (42x34x24)
<b>SHIFTERS</b>	Shimano ST-EF51-8 EZ-fire Plus	Shimano ST-EF51-8 EZ-fire Plus	Shimano ST-EF51-8 EZ-fire Plus	Shimano ST-EF51-7 EZ-fire Plus	Shimano ST-EF51-7 EZ-fire Plus
<b>F/DERAILLEUR</b>	Shimano M190 (31.8mm)	Shimano M190 (31.8mm)	Shimano TY10 (31.8mm)	Shimano TY10 (31.8mm)	Shimano TY10 (31.8mm)
<b>R/DERAILLEUR</b>	Shimano Alivio M430	Shimano Alivio M430	Shimano Acera M360	Shimano Acera M360	Shimano Altus M280
<b>SPEED</b>	24	24	24	21	21
<b>FREEWHEEL</b>	Shimano CS-HG31-8 (11-34)	Shimano CS-HG31-8 (11-34)	Shimano CS-HG31-8 (11-34)	Shimano MF-TZ21 (14-28)	Shimano MF-TZ21 (14-28)
<b>CHAIN</b>	KMC Z7 (108 links)	KMC Z7 (108 links)	KMC Z7 (108 links)	KMC Z51 (108 links)	KMC Z51 (108 links)
<b>BRAKES</b>	Zoom Mechanical Disc	Tektro V-brake	Alhonga V-brake	Alhonga V-brake	Alhonga V-brake
<b>BRAKE ROTORS</b>	160mm front / 160mm rear	-			
<b>BRAKE LEVERS</b>	Shimano ST-EF51-8 EZ-fire Plus	Shimano ST-EF51-8 EZ-fire Plus	Shimano ST-EF51-8 EZ-fire Plus	Shimano ST-EF51-7 EZ-fire Plus	Shimano ST-EF51-7 EZ-fire Plus
<b>BRAKE INNER WIRE</b>	Driving Force SCS (SlickCableSystem)	Driving Force SCS (SlickCableSystem)	Driving Force SCS (SlickCableSystem)	Driving Force SCS (SlickCableSystem)	Driving Force SCS (SlickCableSystem)
<b>HUBS</b>	Sram MTH-306 Disc (32 holes)	alloy (32 holes)	alloy (32 holes)	alloy (32 holes)	alloy (32 holes)
<b>RIMS</b>	KLS Draft Disc 559 x 19 (32 holes)	KLS Draft 559 x 19 (32 holes)	KLS Draft 559 x 19 (32 holes)	KLS Draft 559 x 19 (32 holes)	KLS Draft 559 x 19 (32 holes)
<b>SPOKES</b>	stainless steel	stainless steel	stainless steel	steel U.C.P.	steel U.C.P.
<b>TIRES</b>	KLS 54-559 (26 x 2.10)	KLS 54-559 (26 x 2.10)	KLS 54-559 (26 x 2.10)	KLS 54-559 (26 x 2.10)	KLS 54-559 (26 x 2.10)
<b>STEM</b>	Kalloy (diam 28.6mm / 15°)	Kalloy (diam 28.6mm / 15°)	Kalloy (diam 28.6mm / 15°)	Kalloy (diam 28.6mm / 15°)	Kalloy (diam 28.6mm / 15°)
<b>HANDLEBAR</b>	steel RiseBar (diam 25.4mm)	steel RiseBar (diam 25.4mm)	steel RiseBar (diam 25.4mm)	steel RiseBar (diam 25.4mm)	steel RiseBar (diam 25.4mm)
<b>GRIPS</b>	KLS Advancer 2Density	KLS Advancer 2Density	KLS Advancer 2Density	KLS Advancer	KLS Advancer
<b>SEAT POST</b>	Kalloy (diam 27.2mm)	Kalloy (diam 27.2mm)	Kalloy (diam 27.2mm)	Kalloy (diam 27.2mm)	Kalloy (diam 27.2mm)
<b>SADDLE</b>	KLS Apex	KLS Apex	KLS Apex	KLS Apex	KLS Apex
<b>PEDALS</b>	plastic	plastic	plastic	plastic	plastic

Specifications are subject to change without notice.



**HARDTAIL 26":** Kellys Alutec Lite 6061 - RRC Geometry (Race Ready Concept)

size	S/T (mm)	L (mm)	H/T (mm)	S/T angle	H/T angle	BB (mm)	RC (mm)	WB (mm)
395mm (15.5")	395	560	100	72.5°	70°	32	420	1037,1
445mm (17.5")	445	580	110	72.5°	70°	32	420	1057,6
495mm (19.5")	495	600	120	72.5°	70°	32	420	1078,0
545mm (21.5")	545	620	140	72.5°	70°	32	420	1098,9

model: Viper 60, Viper 50, Viper 40, Viper 30, Viper 20, Viper 10

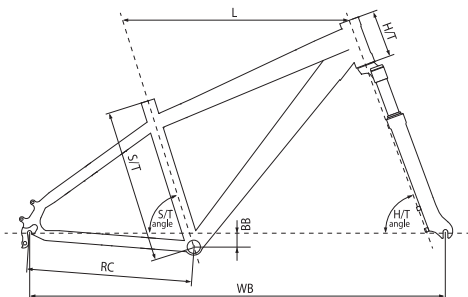


series  
**DIRT**

series  
**KLC WOMEN**

	WHIP 50	WHIP 30	WHIP 10	VANITY 90	VANITY 70
<b>FRAME</b>	Kellys Dirt Proven 6061 double butted Dirt Series Geometry	Kellys Dirt Proven 6061 double butted Dirt Series Geometry	Kellys Dirt Proven 6061 double butted Dirt Series Geometry	Kellys KLC Lite 6061 LSG (Lady Sport Geometry)	Kellys KLC Lite 6061 LSG (Lady Sport Geometry)
<b>FRAME SIZE</b>	M / L	M / L	GREEN M / L BLACK M / L	375mm (15") / 425mm (17") / 475mm (19")	375mm (15") / 425mm (17") / 475mm (19")
<b>FORK</b>	SR Suntour Duro DJ D 200Loc - Thru Axle 100mm, coil spring / hydraulic	RST Dirt T 100mm, coil spring	SR Suntour XCT 100mm, coil spring	SR Suntour XCR LO-R Air 100mm, air / Speed Lockout	SR Suntour XCM HLO 100mm, coil / Speed Lockout
<b>HEAD PARTS</b>	semi-integrated	semi-integrated	semi-integrated	KLS Expert integrated	KLS Expert integrated
<b>B.B.PARTS</b>	Truvativ Howitzer XR oversize cartridge	Truvativ Howitzer XR oversize cartridge	SR Suntour cartridge (122mm)	-	VP cartridge (126mm)
<b>CRANKSET</b>	Truvativ Ruktion 1.0	Truvativ Ruktion 1.0	SR Suntour XCE (42x34x24)	KLS Race integrated (44x32x22)	Shimano Acera M361 (42x32x22)
<b>SHIFTERS</b>	Sram X5 Trigger rear	Sram SL Trigger rear	Shimano ST-EF51-7 EZ-fire Plus	Shimano Alivio SL-M430 Rapidfire Plus	Shimano SL-M310 Rapidfire Plus
<b>F/DERAILLEUR</b>	-	-	Shimano TX50 (34.9mm)	Shimano Alivio M431 (34.9mm)	Shimano Altus M311 (34.9mm)
<b>R/DERAILLEUR</b>	Sram X5	Sram X4	Shimano Acera M360	Shimano Deore M591	Shimano Alivio M430
<b>SPEED</b>	9	9	21	27	24
<b>FREEWHEEL</b>	Sram PG-950-9 (12-23)	Sram PG-950-9 (12-23)	Shimano CS-HG20-7 (12-32)	Sram PG-950-9 (11-32)	Shimano CS-HG31-8 (11-34)
<b>CHAIN</b>	KMC X9 (108 links)	KMC X9 (108 links)	KMC Z51 (108 links)	KMC X9 (108 links)	KMC Z7 (108 links)
<b>BRAKES</b>	Avid Elixir 1 Hydraulic Disc	Avid DB1 Hydraulic Disc	Zoom Mechanical Disc	KLS Helix 7B Hydraulic Disc	Avid DB1 Hydraulic Disc
<b>BRAKE ROTORS</b>	180mm front / 180mm rear	160mm front / 160mm rear	160mm front / 160mm rear	160mm front / 160mm rear	160mm front / 160mm rear
<b>BRAKE LEVERS</b>	Avid Elixir 1	Avid DB1	Shimano ST-EF51-7 EZ-fire Plus	KLS Helix 7B	Avid DB1
<b>BRAKE INNER WIRE</b>	-	-	Driving Force SCS (StickCableSystem)	-	-
<b>HUBS</b>	KLS D20 Disc (20mm front thru axle / 36 holes)	Sram MTH-306 Disc (32 holes)	Sram MTH-306 Disc (32 holes)	Sram MTH-306 Disc (32 holes)	Sram MTH-306 Disc (32 holes)
<b>RIMS</b>	KLS Brave Disc 559 x 23 (36 holes)	KLS Brave Disc 559 x 23 (32 holes)	KLS Draft Disc 559 x 19 (32 holes)	KLS Draft Disc 559 x 19 (32 holes)	KLS Draft Disc 559 x 19 (32 holes)
<b>SPOKES</b>	stainless steel black	stainless steel black	stainless steel	stainless steel black	stainless steel black
<b>TIRES</b>	Kenda Kinetics 60-559 (26 x 2.35)	Kenda Kinetics 60-559 (26 x 2.35)	Kenda Kinetics 60-559 (26 x 2.35)	Schwalbe Rapid Rob 54-559 (26 x 2.10)	KLS 54-559 (26 x 2.10)
<b>STEM</b>	Truvativ Hussefelt (diam 28.6mm / bar bore 31.8mm)	Truvativ Hussefelt (diam 28.6mm / bar bore 31.8mm)	Kalloy (diam 28.6mm / bar bore 31.8mm)	KLS Expert (diam 28.6mm / bar bore 31.8mm / 7°)	KLS Expert (diam 28.6mm / bar bore 31.8mm / 7°)
<b>HANDLEBAR</b>	Truvativ Hussefelt Comp RiseBar (31.8mm)	Truvativ Hussefelt Comp RiseBar (31.8mm)	KLS Master RiseBar (31.8mm)	KLS Expert RiseBar (31.8mm)	KLS Expert RiseBar (31.8mm)
<b>GRIPS</b>	KLS Advancer LockOn gel	KLS Advancer	KLS Advancer	KLS Advancer 2Density	KLS Advancer 2Density
<b>SEAT POST</b>	Truvativ Hussefelt (diam 30.9mm)	KLS Expert (diam 30.9mm)	Kalloy (diam 30.9mm)	KLS Expert (diam 30.9mm)	KLS Expert (diam 30.9mm)
<b>SADDLE</b>	KLS Dirt	KLS Dirt	KLS Dirt	KLS Ebony Women	KLS Ebony Women
<b>PEDALS</b>	Wellgo - BMX alloy	HT Pedals - BMX nylon composite	HT Pedals - BMX nylon composite	KLS Master - alloy	KLS Master - alloy

Specifications are subject to change without notice.



**DIRT:** Kellys Dirt Proven 6061 double butted - Dirt Series Geometry

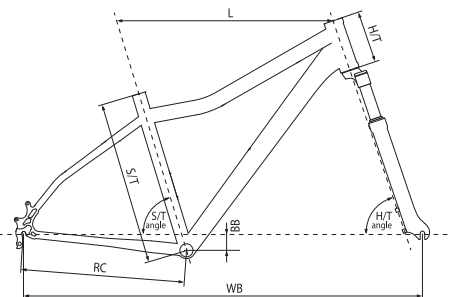
size	S/T (mm)	L (mm)	H/T (mm)	S/T angle	H/T angle	BB (mm)	RC (mm)	WB (mm)
M	350	565	120	72°	69°	32	420	1048.4
L	390	580	120	72°	69°	32	420	1063.5

model: Whip 50, Whip 30, Whip 10



	VANITY 50	VANITY 30	VANITY 20	VANITY 10	URC 90
<b>FRAME</b>	Kellys KLC Lite 6061 LSG (Lady Sport Geometry)	Kellys KLC Lite 6061 LSG (Lady Sport Geometry)	Kellys KLC Lite 6061 LSG (Lady Sport Geometry)	Kellys KLC Lite 6061 LSG (Lady Sport Geometry)	Kellys iCAD RC Carbon Composite
<b>FRAME SIZE</b>	375mm (15") / 425mm (17") / 475mm (19")	375mm (15") / 425mm (17") / 475mm (19")	AQUA 375mm (15") / 425mm (17") / 475mm (19") SUNSET 375mm (15") / 425mm (17") / 475mm (19")	MINT GREEN 375mm (15") / 425mm (17") / 475mm (19") MANGO WHITE 375mm (15") / 425mm (17") / 475mm (19")	480mm (S) / 520mm (M) / 560mm (L)
<b>FORK</b>	SR Suntour XCT MLO 100mm, coil / Mechanical Lockout	SR Suntour XCT MLO 100mm, coil / Mechanical Lockout	SR Suntour XCT 100mm, coil spring	SR Suntour M3020 A 75mm, coil spring	Kellys Carbon monocoque 1.5 (carbon tapered steerer)
<b>HEAD PARTS</b>	semi-integrated	semi-integrated	semi-integrated	semi-integrated	Ritchey WCS Carbon Logic Zero 1.5 integrated
<b>B.B.PARTS</b>	SR Suntour cartridge (122mm)	SR Suntour cartridge (122mm)	VP cartridge (120mm)	VP cartridge (120mm)	-
<b>CRANKSET</b>	SR Suntour XCE (42x34x24)	SR Suntour XCE (42x34x24)	Prowheel (42x34x24)	Prowheel (42x34x24)	Shimano Dura-Ace 9000 Hollowtech II (53x39)
<b>SHIFTERS</b>	Shimano SL-M310 Rapidfire Plus	Shimano ST-EF51-8 EZ-fire Plus	Shimano ST-EF51-7 EZ-fire Plus	Shimano SL-RS35-7 Revoshift	Shimano Dura-Ace ST-9000 Dual Control
<b>F/DERAILLEUR</b>	Shimano M190 (34.9mm)	Shimano M190 (34.9mm)	Shimano M190 (34.9mm)	Shimano TX50 (34.9mm)	Shimano Dura-Ace 9000 (34.9mm)
<b>R/DERAILLEUR</b>	Shimano Altus M310	Shimano Altus M310	Shimano Altus M280	Shimano Altus M280	Shimano Dura-Ace 9000
<b>SPEED</b>	24	24	21	21	22
<b>FREEWHEEL</b>	Shimano CS-HG31-8 (11-34)	Shimano CS-HG31-8 (11-34)	Shimano MF-TZ31 (14-34)	Shimano MF-TZ21 (14-28)	Shimano Dura-Ace CS-9000-11 (11-23)
<b>CHAIN</b>	KMC Z7 (108 links)	KMC Z7 (108 links)	KMC Z51 (108 links)	KMC Z51 (108 links)	Shimano Dura-Ace CN-9000 (106 links)
<b>BRAKES</b>	Avid DB1 Hydraulic Disc	Tektro V-brake	Alhonga V-brake	Alhonga V-brake	Shimano Dura-Ace 9000
<b>BRAKE ROTORS</b>	160mm front / 160mm rear	-	-	-	-
<b>BRAKE LEVERS</b>	Avid DB1	Shimano ST-EF51-8 EZ-fire Plus	Shimano ST-EF51-7 EZ-fire Plus	Alhonga	Shimano Dura-Ace ST-9000 Dual Control
<b>BRAKE INNER WIRE</b>	-	Driving Force SCS (SlickCableSystem)	Driving Force SCS (SlickCableSystem)	Driving Force SCS (SlickCableSystem)	Jagwire stainless
<b>HUBS</b>	Sram MTH-306 Disc (32 holes)	alloy (32 holes)	alloy (32 holes)	alloy (32 holes)	-
<b>RIMS / WHEELSET</b>	KLS Draft Disc 559 x 19 (32 holes)	KLS Draft 559 x 19 (32 holes)	KLS Draft 559 x 19 (32 holes)	KLS Draft 559 x 19 (32 holes)	Mavic Ksyrium Elite S wheelset
<b>SPOKES</b>	stainless steel	stainless steel	steel U.C.P.	steel U.C.P.	-
<b>TIRES</b>	KLS 54-559 (26 x 2.10)	Kellys Cobra 50-559 (26 x 2.0)	Kellys Cobra 50-559 (26 x 2.0)	Kellys Cobra 50-559 (26 x 2.0)	Mavic Yksion Pro Griplink 23-622 (700 x 23C) folding
<b>STEM</b>	KLS Expert (diam 28.6mm / bar bore 31.8mm / 7°)	KLS Expert (diam 28.6mm / bar bore 31.8mm / 7°)	Kalloy Uno (diam 28.6mm / 30°)	Kalloy Uno (diam 28.6mm / 30°)	Ritchey WCS 4-Axis Matrix Carbonalloy (diam 28.6mm / bar bore 31.8mm / 6°)
<b>HANDLEBAR</b>	KLS Expert RiseBar (31.8mm)	KLS Expert RiseBar (31.8mm)	steel RiseBar (diam 25.4mm)	steel RiseBar (diam 25.4mm)	Ritchey WCS Carbon Evo Curve (31.8mm)
<b>GRIPS</b>	KLS Advancer 2Density	KLS Advancer 2Density	KLS Advancer 2Density	kraton	fi'zi:k Microtex bar tape - gel padding
<b>SEAT POST</b>	KLS Expert (diam 30.9mm)	KLS Expert (diam 30.9mm)	Kalloy Uno (diam 30.9mm)	Kalloy Uno (diam 30.9mm)	Ritchey WCS Carbon 1-Bolt monocoque (diam 31.6mm)
<b>SADDLE</b>	KLS Ebony Women	KLS Ebony Women	KLS Ebony Women	KLS Ebony Women	fi'zi:k Arione R7
<b>PEDALS</b>	KLS Master - alloy	plastic	plastic	plastic	-

Specifications are subject to change without notice.



**KLC WOMEN: Kellys WLC Lite 6061 3ple butted - LSG (Lady Sport Geometry)**

size	S/T (mm)	L (mm)	H/T (mm)	S/T angle	H/T angle	BB (mm)	RC (mm)	WB (mm)
375mm (15")	375	545	120	72.5°	70.5°	40	425	1019.4
425mm (17")	425	565	135	72.5°	70.5°	40	425	1040.0
475mm (19")	475	585	145	72.5°	70.5°	40	425	1060.3

model: Vanity 90, Vanity 70, Vanity 50, Vanity 30, Vanity 20, Vanity 10



series  
**ROAD**

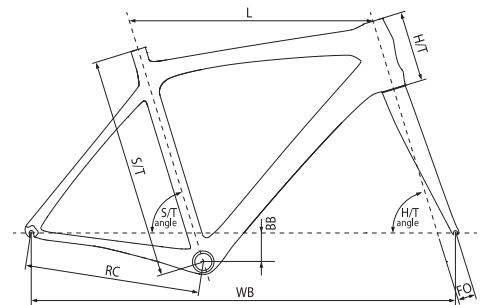
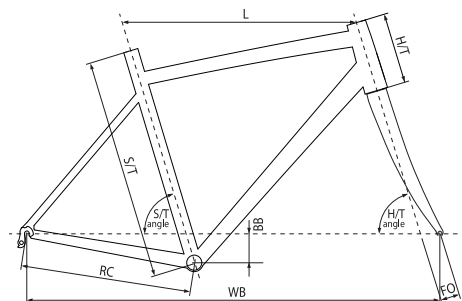
	URC 70	URC 50	URC 30	ARC 50	ARC 30
<b>FRAME</b>	Kellys iCAD RC Carbon Composite	Kellys iCAD RC Carbon Composite	Kellys iCAD RC Carbon Composite	Aluminum alloy 6061 3ple butted	Aluminum alloy 6061 3ple butted
<b>FRAME SIZE</b>	480mm (S) / 520mm (M) / 560mm (L)	480mm (S) / 520mm (M) / 560mm (L)	480mm (S) / 520mm (M) / 560mm (L)	530mm (S) / 550mm (M) / 570mm (L)	530mm (S) / 550mm (M) / 570mm (L)
<b>FORK</b>	Kellys Carbon mono-coque 1.5 (Carbon tapered steerer)	Kellys Carbon mono-coque 1.5 (Carbon tapered steerer)	Kellys Dynamic Carbon 1.5 (alloy tapered steerer)	Kellys Dynamic Carbon 1.5 (alloy tapered steerer)	Kellys Dynamic Carbon 1.5 (alloy tapered steerer)
<b>HEAD PARTS</b>	Ritchey Pro Logic Zero 1.5 integrated	Ritchey Pro Logic Zero 1.5 integrated	KLS Race 1.5 integrated	KLS Master 1.5 integrated	KLS Master 1.5 integrated
<b>B.B.PARTS</b>	-	-	-	-	-
<b>CRANKSET</b>	Shimano Ultegra (14) 6800 Hollowtech II compact (50x34)	Shimano 105 5750 Hollowtech II compact (50x34)	Shimano Tiagra 4650 compact (50x34)	Shimano 105 5750 Hollowtech II compact (50x34)	Shimano Tiagra 4650 compact (50x34)
<b>SHIFTERS</b>	Shimano Ultegra (14) ST-6800 Dual Control	Shimano 105 ST-5700 Dual Control	Shimano Tiagra ST-4600 Dual Control	Shimano 105 ST-5700 Dual Control	Shimano Tiagra ST-4600 Dual Control
<b>F/DERAILLEUR</b>	Shimano Ultegra (14) 6800 (34.9mm)	Shimano 105 5700 (34.9mm)	Shimano Tiagra 4600 (34.9mm)	Shimano 105 5700 (34.9mm)	Shimano Tiagra 4600 (34.9mm)
<b>R/DERAILLEUR</b>	Shimano Ultegra (14) 6800	Shimano 105 5700	Shimano Tiagra 4600	Shimano 105 5700	Shimano Tiagra 4600
<b>SPEED</b>	22	20	20	20	20
<b>FREEWHEEL</b>	Shimano Ultegra (14) CS-6800-11 (11-25)	Shimano 105 CS-5700-10 (11-25)	Shimano Tiagra CS-4600-10 (11-25)	Shimano 105 CS-5700-10 (11-25)	Shimano Tiagra CS-4600-10 (11-25)
<b>CHAIN</b>	Shimano Ultegra (14) CN-6800 (106 links)	Shimano CN-4601 (106 links)	KMC X10 (104 links)	KMC X10 (104 links)	KMC X10 (104 links)
<b>BRAKES</b>	Shimano Ultegra (14) 6800	Shimano 105 5700	Shimano Tiagra 4600	Shimano 105 5700	Shimano Tiagra 4600
<b>BRAKE ROTORS</b>	-	-	-	-	-
<b>BRAKE LEVERS</b>	Shimano Ultegra (14) ST-6800 Dual Control	Shimano 105 ST-5700 Dual Control	Shimano Tiagra ST-4600 Dual Control	Shimano 105 ST-5700 Dual Control	Shimano Tiagra ST-4600 Dual Control
<b>BRAKE INNER WIRE</b>	Jagwire stainless	Jagwire stainless	Jagwire stainless	Jagwire stainless	Jagwire stainless
<b>HUBS</b>	-	-	Shimano Tiagra 4600 (32 holes)	Shimano 105 5700 (32 holes)	Shimano Tiagra 4600 (32 holes)
<b>RIMS / WHEELSET</b>	Mavic Aksium Race wheelset	Mavic Aksium Race wheelset	Kellys Spark 622 x 15 (32 holes / 2 eyelets)	Kellys Spark 622 x 15 (32 holes / 2 eyelets)	Kellys Spark 622 x 15 (32 holes / 2 eyelets)
<b>SPOKES</b>	-	-	stainless steel black	stainless steel	stainless steel
<b>TIRES</b>	Schwalbe Ultrero ZX - HD Speed Guard 23-622 (700 x 23C) folding	Schwalbe Ultrero ZX - HD Speed Guard 23-622 (700 x 23C) folding	Schwalbe Lugano - Puncture Protection 23-622 (700 x 23C)	Schwalbe Lugano - Puncture Protection 23-622 (700 x 23C)	Schwalbe Lugano - Puncture Protection 23-622 (700 x 23C)
<b>STEM</b>	Ritchey WCS 4-Axis Matrix Carbonalloy (diam 28.6mm / bar bore 31.8mm / 6°)	Ritchey WCS 4-Axis (diam 28.6mm / bar bore 31.8mm / 6°)	Ritchey Pro 4-Axis (diam 28.6mm / bar bore 31.8mm / 6°)	Ritchey Comp 4-Axis (diam 28.6mm / bar bore 31.8mm / 6°)	Ritchey Comp 4-Axis (diam 28.6mm / bar bore 31.8mm / 6°)
<b>HANDLEBAR</b>	Ritchey WCS Carbon Evo Curve (31.8mm)	Ritchey Comp Logic II (31.8mm)	Ritchey Comp Logic II (31.8mm)	Ritchey Comp Logic II (31.8mm)	Ritchey Comp Logic II (31.8mm)
<b>GRIPS</b>	fi'zi:k Microtex bar tape - gel padding	Kellys bar tape - gel padding	Kellys bar tape - gel padding	Kellys bar tape - gel padding	Kellys bar tape - gel padding
<b>SEAT POST</b>	Ritchey WCS Carbon 1-Bolt mono-coque (diam 31.6mm)	Ritchey Pro (diam 31.6mm)	Ritchey (diam 31.6mm)	Ritchey (diam 31.6mm)	Ritchey (diam 31.6mm)
<b>SADDLE</b>	fi'zi:k Arione R7	fi'zi:k Ardea	fi'zi:k Ardea	fi'zi:k Ardea	KLS SlipStream
<b>PEDALS</b>	-	-	-	-	-

Specifications are subject to change without notice.

**ROAD:** Kellys iCAD RC Carbon Composite

size	S/T (mm)	L (mm)	H/T (mm)	S/T angle	H/T angle	BB (mm)	FO (mm)	RC (mm)	WB (mm)
480mm (S)	480	545	145	73.5°	72.5°	68	43	408	981.3
520mm (M)	520	570	165	73°	73°	68	43	408	996.5
560mm (L)	560	595	190	72°	74°	68	43	408	1005.1

model: URC 90, URC 70, URC 50, URC 30



**ROAD:** Aluminum alloy 6061 3ple butted

size	S/T (mm)	L (mm)	H/T (mm)	S/T angle	H/T angle	BB (mm)	FO (mm)	RC (mm)	WB (mm)
530mm (S)	530	560	170	73.3°	73.5°	70	40	407	979.7
550mm (M)	550	574	190	73.3°	73.5°	70	40	407	993.6
570mm (L)	570	586	210	73.3°	73.5°	68	40	407	1006.5

model: ARC 50, ARC 30, ARC 10

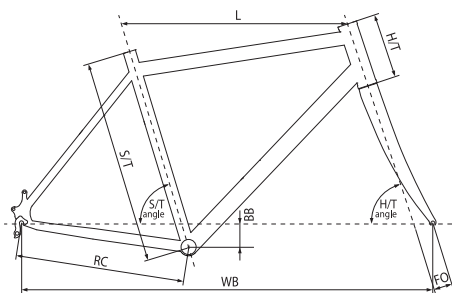
series  
**ROAD**

series  
**FITNESS**

series  
**CROSS**

	ARC 10	PHYSIO 50	PHYSIO 30	PHYSIO 10	PHANATIC 90
<b>FRAME</b>	Aluminum alloy 6061 3ple butted	Aluminum alloy 6061 3ple butted Urban Move Concept	Aluminum alloy 6061 3ple butted Urban Move Concept	Aluminum alloy 6061 3ple butted Urban Move Concept	Kellys Crossforce Lite 6061 3ple butted SCG (Sport Cross Geometry)
<b>FRAME SIZE</b>	530mm (S) / 550mm (M) / 570mm (L)	480mm (S) / 520mm (M) / 560mm (L)	480mm (S) / 520mm (M) / 560mm (L)	480mm (S) / 520mm (M) / 560mm (L)	430mm (17") / 480mm (19") / 530mm (21")
<b>FORK</b>	Kellys Dynamic Carbon 1.5 (alloy tapered steerer)	Aluminum alloy	Aluminum alloy	Aluminum alloy	SR Suntour NCX-D RL 63mm (17") / 75mm (19"-21") air / Remote Speed Lockout
<b>HEAD PARTS</b>	KLS Expert 1.5 integrated	Ritchey Logic Zero semi-integrated	Ritchey Logic Zero semi-integrated	Ritchey Logic Zero semi-integrated	KLS Expert integrated
<b>B.B.PARTS</b>	Shimano Octalink cartridge	Sram Power Spline cartridge (118mm)	SR Suntour cartridge (113mm)	SR Suntour cartridge (113mm)	-
<b>CRANKSET</b>	Shimano Claris (14) 2450 Octalink compact (50x34)	Sram Via Centro (48x32)	SR Suntour XCR6 (48x36x26)	Samox (46)	Shimano T551 (48x36x26)
<b>SHIFTERS</b>	Shimano Claris (14) ST-2400 Dual Control	Sram Via Centro 10-Speed Trigger	Shimano Altus (14) SL-M370 Rapidfire Plus	Shimano Altus (14) SL-M370 Rapidfire Plus rear	Shimano Deore (14) SL-M610 Rapidfire Plus
<b>F/DERAILLEUR</b>	Shimano Claris (14) 2400 (34.9mm)	Sram Via Centro (31.8mm)	Shimano Altus (14) M371 (31.8mm)	-	Shimano Deore XT M781 (31.8mm)
<b>R/DERAILLEUR</b>	Shimano Claris (14) 2400	Sram Via Centro	Shimano Acera M390	Shimano Acera M390	Shimano Deore XT M780
<b>SPEED</b>	16	20	27	9	30
<b>FREEWHEEL</b>	Shimano CS-HG50-8 (11-28)	Sram PG-1030-10 (11-26)	Shimano CS-HG20-9 (11-34)	Shimano CS-HG20-9 (11-34)	Sram PG-1030-10 (11-32)
<b>CHAIN</b>	KMC Z7 (104 links)	KMC X10 (108 links)	KMC X9 (108 links)	KMC X9 (108 links)	KMC X10 (114 links)
<b>BRAKES</b>	Shimano Claris (14) 2400	Avid Single Digit 3 V-brake	Avid Single Digit 3 V-brake	Tektro V-brake	Shimano M446 Hydraulic Disc
<b>BRAKE ROTORS</b>	-	-	-	-	160mm front / 160mm rear
<b>BRAKE LEVERS</b>	Shimano Claris (14) ST-2400 Dual Control	Avid FR-5	Avid FR-5	Tektro	Shimano BL-M505
<b>BRAKE INNER WIRE</b>	Jagwire stainless	Driving Force SCS (SlickCableSystem)	Driving Force SCS (SlickCableSystem)	Driving Force SCS (SlickCableSystem)	-
<b>HUBS</b>	Shimano Claris (14) 2400 (32 holes)	Shimano Tiagra (32 holes)	Shimano Claris (14) 2400 (32 holes)	Shimano Claris (14) 2400 (32 holes)	Shimano M475 Disc (32 holes)
<b>RIMS</b>	Kellys Spark 622 x 15 (32 holes / 2 eyelets)	Kellys Spark 622 x 15 (32 holes / 2 eyelets)	Kellys Spark 622 x 15 (32 holes / 2 eyelets)	Kellys Spark 622 x 15 (32 holes / 2 eyelets)	KLS Draft Disc 622 x 19 (32 holes / eyelets)
<b>SPOKES</b>	stainless steel black	stainless steel black	stainless steel black	stainless steel black	stainless steel black
<b>TIRES</b>	Schwalbe Lugano - Puncture Protection 23-622 (700 x 23C)	Schwalbe Spicer 30-622 (700 x 30C) ReflectiveLine	Schwalbe Spicer 30-622 (700 x 30C) ReflectiveLine	Schwalbe Spicer 30-622 (700 x 30C) ReflectiveLine	Schwalbe CX Comp - Puncture Protection 40-622 (700 x 38C) ReflectiveLine
<b>STEM</b>	Ritchey Comp 4-Axis (diam 28.6mm / bar bore 31.8mm / 6°)	KLS Master (diam 28.6mm / bar bore 31.8mm / 7°)	KLS Expert (diam 28.6mm / bar bore 31.8mm / 7°)	KLS Expert (diam 28.6mm / bar bore 31.8mm / 7°)	KLS Race (diam 28.6mm / bar bore 31.8mm / 7°)
<b>HANDLEBAR</b>	Ritchey Comp Logic II (31.8mm)	KLS Master FlatBar (31.8mm)	KLS Expert FlatBar (31.8mm)	KLS Expert FlatBar (31.8mm)	KLS Master FlatBar (31.8mm)
<b>GRIPS</b>	Kellys bar tape - gel padding	KLS LockOn foam	KLS LockOn foam	KLS LockOn foam	KLS LockOn foam
<b>SEAT POST</b>	Ritchey (diam 31.6mm)	KLS Master (diam 27.2mm)	KLS Expert (diam 27.2mm)	KLS Expert (diam 27.2mm)	KLS Master (diam 27.2mm)
<b>SADDLE</b>	KLS SlipStream	KLS Mirage	KLS Mirage	KLS Mirage	Selle Royal Lookin Sport Men Visual Royalgel
<b>PEDALS</b>	-	KLS Master - alloy	KLS Master - alloy	KLS Master - alloy	VP-X93 Clip-in

Specifications are subject to change without notice.



**FITNESS:** Aluminum alloy 6061 3ple butted - Urban Move Concept

size	S/T (mm)	L (mm)	H/T (mm)	S/T angle	H/T angle	BB (mm)	FO (mm)	RC (mm)	WB (mm)
480mm (S)	480	560	145	73.5°	72°	65	45	430	1026.0
520mm (M)	520	575	165	73.5°	72°	65	45	430	1041.5
560mm (L)	560	590	185	73°	72.5°	65	45	430	1047.1

model: Physio 50, Physio 30, Physio 10



series  
**CROSS**

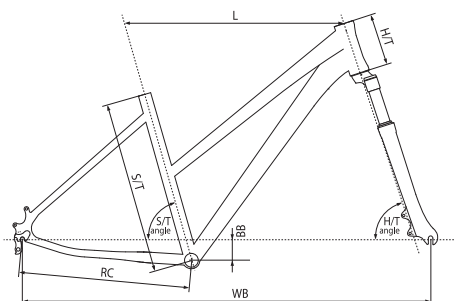
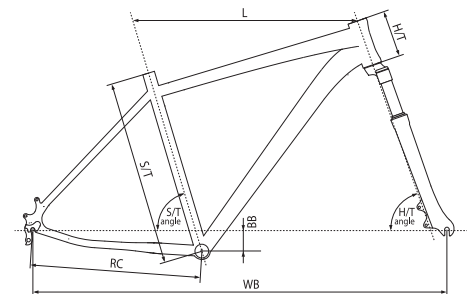
	PHANATIC 70	PHANATIC 50	PHANATIC 30	PHANATIC 20	PHANATIC 10
<b>FRAME</b>	Kellys Crossforce Lite 6061 3ple butted SCG (Sport Cross Geometry)	Kellys Crossforce Lite 6061 3ple butted SCG (Sport Cross Geometry)	Kellys Crossforce Lite 6061 3ple butted SCG (Sport Cross Geometry)	Kellys Crossforce Lite 6061 3ple butted SCG (Sport Cross Geometry)	Kellys Crossforce Lite 6061 3ple butted SCG (Sport Cross Geometry)
<b>FRAME SIZE</b>	430mm (17") / 480mm (19") / 530mm (21")	430mm (17") / 480mm (19") / 530mm (21")	430mm (17") / 480mm (19") / 530mm (21")	430mm (17") / 480mm (19") / 530mm (21")	VAMP 430mm (17") / 480mm (19") / 530mm (21") / 580mm (23") LIME ACCENT 430mm (17") / 480mm (19") / 530mm (21")
<b>FORK</b>	SR Suntour NCX-D RL 63mm (17") / 75mm (19"-21") air / Remote Speed Lockout	SR Suntour NCX-D LO 63mm (17") / 75mm (19"-21") coil / Speed Lockout	SR Suntour NCX-D LO 63mm (17") / 75mm (19"-21") coil / Speed Lockout	SR Suntour NEX HLO 63mm, coil / Speed Lockout	SR Suntour NEX HLO 63mm, coil / Speed Lockout
<b>HEAD PARTS</b>	KLS Expert integrated	KLS Expert integrated	KLS Expert integrated	KLS Expert integrated	KLS Expert integrated
<b>B.B.PARTS</b>	-	SR Suntour cartridge (113mm)	SR Suntour cartridge (113mm)	SR Suntour cartridge (113mm)	SR Suntour cartridge (113mm)
<b>CRANKSET</b>	SR Suntour XCR V2 integrated (48x36x26)	SR Suntour XCR6 (48x36x26)	SR Suntour XCR6 (48x36x26)	SR Suntour XCR6 (48x36x26)	SR Suntour XCR6 (48x36x26)
<b>SHIFTERS</b>	Shimano Deore (14) SL-M610 Rapidfire Plus	Shimano Deore SL-M590 Rapidfire Plus	Shimano Alivio ST-M430 Rapidfire Plus	Shimano Alivio SL-M430 Rapidfire Plus	Shimano Alivio ST-M430 Rapidfire Plus
<b>F/DERAILLEUR</b>	Shimano Deore (14) M610 (31.8mm)	Shimano Alivio M431 (31.8mm)	Shimano Alivio M431 (31.8mm)	Shimano M191 (31.8mm)	Shimano M191 (31.8mm)
<b>R/DERAILLEUR</b>	Shimano Deore XT M780	Shimano Deore XT M772	Shimano Deore XT M772	Shimano Alivio M430	Shimano Deore M591
<b>SPEED</b>	30	27	27	27	27
<b>FREEWHEEL</b>	Sram PG-1030-10 (11-32)	Sram PG-950-9 (11-32)	Sram PG-950-9 (11-32)	Sram PG-950-9 (11-32)	Sram PG-950-9 (11-32)
<b>CHAIN</b>	KMC X10 (114 links)	KMC X9 (114 links)	KMC X9 (114 links)	KMC X9 (114 links)	KMC X9 (114 links)
<b>BRAKES</b>	KLS Helix 7B Hydraulic Disc	KLS Helix 7B Hydraulic Disc	Tektro V-brake	Avid DB1 Hydraulic Disc	Tektro V-brake
<b>BRAKE ROTORS</b>	160mm front / 160mm rear	160mm front / 160mm rear	-	160mm front / 160mm rear	-
<b>BRAKE LEVERS</b>	KLS Helix 7B	KLS Helix 7B	Shimano Alivio ST-M430 Rapidfire Plus	Avid DB1	Shimano Alivio ST-M430 Rapidfire Plus
<b>BRAKE INNER WIRE</b>	-	-	-	-	-
<b>HUBS</b>	Shimano M475 Disc (32 holes)	Sram MTH-306 Disc (32 holes)	Shimano RM40 / RM30 (32 holes)	Sram MTH-306 Disc (32 holes)	alloy (32 holes)
<b>RIMS</b>	KLS Draft Disc 622 x 19 (32 holes / eyelets)	KLS Draft Disc 622 x 19 (32 holes / eyelets)	KLS Draft 622 x 19 (32 holes / eyelets)	KLS Draft Disc 622 x 19 (32 holes / eyelets)	KLS Draft 622 x 19 (32 holes / eyelets)
<b>SPOKES</b>	stainless steel black	stainless steel black	stainless steel	stainless steel black	stainless steel
<b>TIRES</b>	Schwalbe CX Comp - Puncture Protection 40-622 (700 x 38C) ReflectiveLine	Schwalbe CX Comp - Puncture Protection 40-622 (700 x 38C) ReflectiveLine	Schwalbe CX Comp - Puncture Protection 40-622 (700 x 38C) ReflectiveLine	Schwalbe CX Comp - Puncture Protection 40-622 (700 x 38C) ReflectiveLine	Kellys Softline 40-622 (700 x 38C) ReflectiveLine
<b>STEM</b>	KLS Cross - adjustable (diam 28.6mm / bar bore 25.4mm)	KLS Cross - adjustable (diam 28.6mm / bar bore 25.4mm)	KLS Expert (diam 28.6mm / bar bore 31.8mm / 7°)	KLS Cross - adjustable (diam 28.6mm / bar bore 25.4mm)	KLS Expert (diam 28.6mm / bar bore 31.8mm / 7°)
<b>HANDLEBAR</b>	KLS Expert FlatBar (25.4mm)	KLS Cross RiseBar (25.4mm)	KLS Expert RiseBar (31.8mm)	KLS Cross RiseBar (25.4mm)	KLS Expert RiseBar (31.8mm)
<b>GRIPS</b>	KLS LockOn foam	KLS LockOn foam	KLS LockOn foam	KLS LockOn foam	KLS LockOn foam
<b>SEAT POST</b>	KLS Expert (diam 27.2mm)	KLS Expert (diam 27.2mm)	KLS Master (diam 27.2mm)	KLS Expert (diam 27.2mm)	KLS Expert (diam 27.2mm)
<b>SADDLE</b>	Selle Royal Lookin Sport Men Visual Royalgel	Selle Royal Lookin Sport Men Visual Royalgel	KLS Mirage	KLS Mirage	KLS Mirage
<b>PEDALS</b>	VP NonSlip - alloy	VP NonSlip - alloy	VP NonSlip - alloy	VP NonSlip - alloy	VP NonSlip - alloy

Specifications are subject to change without notice.

**CROSS: Kellys Crossforce Lite 6061 3ple butted - SCG (Sport Cross Geometry)**

size	S/T (mm)	L (mm)	H/T (mm)	S/T angle	H/T angle	BB (mm)	RC (mm)	WB (mm)
430mm (17")	430	570	120	73°	70.5°	53.5	440	1061.1
480mm (19")	480	580	130	73°	70.5°	53.6	440	1072.0
530mm (21")	530	595	140	73°	70.5°	53.6	440	1087.4
580mm (23")	580	610	150	73°	70.5°	53.6	440	1102.9

model: Phanatic 90, Phanatic 70, Phanatic 50, Phanatic 30, Phanatic 20, Phanatic 10



**CROSS: Kellys Crossforce Lady Lite 6061 triple butted - SCG (Sport Cross Geometry)**

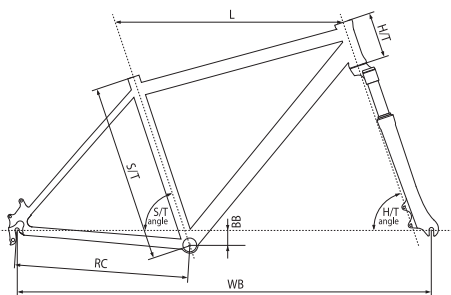
size	S/T (mm)	L (mm)	H/T (mm)	S/T angle	H/T angle	BB (mm)	RC (mm)	WB (mm)
432mm (17")	432	555	130	72.5°	70.5°	49.8	440	1042.4
480mm (19")	480	570	150	72.5°	70.5°	49.8	440	1058.1

model: Phutura 10

series  
**CROSS**

	PHUTURA 10	CLIFF 90	CLEA 90	CLIFF 70	CLEA 70
<b>FRAME</b>	Kellys Crossforce Lady Lite 6061 3ple butted SCG (Sport Cross Geometry)	Kellys Crosslite 6061 alloy	Kellys Crosslite 6061 alloy lady's	Kellys Crosslite 6061 alloy	Kellys Crosslite 6061 alloy lady's
<b>FRAME SIZE</b>	PHOENIX RED 432mm (17") / 480mm (19") LIME ACCENT 432mm (17") / 480mm (19")	432mm (17") / 483mm (19") / 533mm (21") / 584mm (23")	432mm (17") / 483mm (19")	HELIX 432mm (17") / 483mm (19") / 533mm (21") / 584mm (23") NIGHT 432mm (17") / 483mm (19") / 584mm (23")	HELIX 432mm (17") / 483mm (19") GREY 432mm (17") / 483mm (19")
<b>FORK</b>	SR Suntour NEX HLO 63mm, coil / Speed Lockout	SR Suntour NEX HLO 63mm, coil / Speed Lockout	SR Suntour NEX HLO 63mm, coil / Speed Lockout	SR Suntour NEX MLO 63mm, coil / Mechanical Lockout	SR Suntour NEX MLO 63mm, coil / Mechanical Lockout
<b>HEAD PARTS</b>	KLS Expert integrated	KLS Expert integrated	KLS Expert integrated	KLS Expert integrated	KLS Expert integrated
<b>B.B.PARTS</b>	SR Suntour cartridge (113mm)	SR Suntour cartridge (113mm)	SR Suntour cartridge (113mm)	SR Suntour cartridge (113mm)	SR Suntour cartridge (113mm)
<b>CRANKSET</b>	SR Suntour XCR6 (48x36x26)	SR Suntour XCR6 (48x36x26)	SR Suntour XCR6 (48x36x26)	SR Suntour XCM (48x36x26)	SR Suntour XCM (48x36x26)
<b>SHIFTERS</b>	Shimano Alivio ST-M430 Rapidfire Plus	Shimano Alivio ST-M430 Rapidfire Plus	Shimano Alivio ST-M430 Rapidfire Plus	Shimano Altus (14) SL-M370 Rapidfire Plus	Shimano Altus (14) SL-M370 Rapidfire Plus
<b>F/DERAILLEUR</b>	Shimano M191 (31.8mm)	Shimano M191 (31.8mm)	Shimano M191 (31.8mm)	Shimano M191 (31.8mm)	Shimano M191 (31.8mm)
<b>R/DERAILLEUR</b>	Shimano Deore M591	Shimano SLX M662	Shimano SLX M662	Shimano Altus (14) M370	Shimano Altus (14) M370
<b>SPEED</b>	27	27	27	27	27
<b>FREEWHEEL</b>	Sram PG-950-9 (11-32)	Shimano CS-HG20-9 (11-34)	Shimano CS-HG20-9 (11-34)	Shimano CS-HG20-9 (11-34)	Shimano CS-HG20-9 (11-34)
<b>CHAIN</b>	KMC X9 (114 links)	KMC X9 (114 links)	KMC X9 (114 links)	KMC X9 (114 links)	KMC X9 (114 links)
<b>BRAKES</b>	Tektro V-brake	Tektro V-brake	Tektro V-brake	Avid DB1 Hydraulic Disc	Avid DB1 Hydraulic Disc
<b>BRAKE LEVERS</b>	Shimano Alivio ST-M430 Rapidfire Plus	Shimano Alivio ST-M430 Rapidfire Plus	Shimano Alivio ST-M430 Rapidfire Plus	Avid DB1	Avid DB1
<b>BRAKE INNER WIRE</b>	Driving Force SCS (StickCableSystem)	Driving Force SCS (StickCableSystem)	Driving Force SCS (StickCableSystem)	-	-
<b>HUBS</b>	alloy (32 holes)	alloy / Shimano RM30 (32 holes)	alloy / Shimano RM30 (32 holes)	Sram MTH-306 Disc (32 holes)	Sram MTH-306 Disc (32 holes)
<b>RIMS</b>	KLS Draft 622 x 19 (32 holes / eyelets)	KLS Draft 622 x 19 (32 holes / eyelets)	KLS Draft 622 x 19 (32 holes / eyelets)	KLS Draft Disc 622 x 19 (32 holes / eyelets)	KLS Draft Disc 622 x 19 (32 holes / eyelets)
<b>SPOKES</b>	stainless steel	stainless steel	stainless steel	stainless steel	stainless steel
<b>TIRES</b>	Kellys Softline 40-622 (700 x 38C) ReflectiveLine	Kellys Softline 40-622 (700 x 38C)	Kellys Softline 40-622 (700 x 38C)	Kellys Softline 40-622 (700 x 38C)	Kellys Softline 40-622 (700 x 38C)
<b>STEM</b>	KLS Expert (diam 28.6mm / bar bore 31.8mm / 7°)	KLS Cross - adjustable (diam 28.6mm / bar bore 25.4mm)	KLS Cross - adjustable (diam 28.6mm / bar bore 25.4mm)	Kalloy Uno (diam 28.6mm / 15°)	Kalloy Uno (diam 28.6mm / 30°)
<b>HANDLEBAR</b>	KLS Expert RiseBar (31.8mm)	KLS Cross RiseBar (25.4mm)	KLS Cross RiseBar (25.4mm)	Kalloy Uno (25.4mm)	Kalloy Uno (25.4mm)
<b>GRIPS</b>	KLS LockOn foam	KLS Advancer 2Density	KLS Advancer 2Density	KLS Advancer	KLS Advancer
<b>SEAT POST</b>	KLS Expert (diam 27.2mm)	KLS Expert (diam 27.2mm)	KLS Expert (diam 27.2mm)	Kalloy Uno (diam 27.2mm)	Kalloy Uno (diam 27.2mm)
<b>SADDLE</b>	KLS Mirage Women	KLS CrossLine	KLS ComfortLine	KLS CrossLine	KLS ComfortLine
<b>PEDALS</b>	VP NonSlip - alloy	VP NonSlip - alloy	VP NonSlip - alloy	VP NonSlip - alloy	VP NonSlip - alloy

Specifications are subject to change without notice.



**CROSS:** Kellys Crosslite 6061 alloy

size	S/T (mm)	L (mm)	H/T (mm)	S/T angle	H/T angle	BB (mm)	RC (mm)	WB (mm)
430mm (17")	430	580	120	73°	70.5°	53.5	445	1076.5
480mm (19")	480	590	130	73°	70.5°	53.5	445	1087.2
530mm (21")	530	605	140	73°	70.5°	53.5	445	1102.5
580mm (23")	580	620	150	73°	70.5°	53.5	445	1117.9

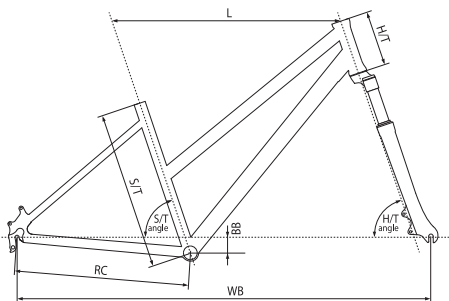
model: Cliff 90, Cliff 70, Cliff 60, Cliff 50, Cliff 40, Cliff 30, Cliff 20



series  
**CROSS**

	CLIFF 60	CLEA 60	CLIFF 50	CLEA 50	CLIFF 40
<b>FRAME</b>	Kellys Crosslite 6061 alloy	Kellys Crosslite 6061 alloy lady's	Kellys Crosslite 6061 alloy	Kellys Crosslite 6061 alloy lady's	Kellys Crosslite 6061 alloy
<b>FRAME SIZE</b>	TURQUOISE 432mm (17") / 483mm (19") / 533mm (21") LIME ACCENT 432mm (17") / 483mm (19") / 533mm (21") / 584mm (23")	TURQUOISE 432mm (17") / 483mm (19") WHITE 432mm (17") / 483mm (19")	TITANIUM 432mm (17") / 483mm (19") / 533mm (21") BLUE ACCENT 432mm (17") / 483mm (19") / 533mm (21") / 584mm (23")	TITANIUM 432mm (17") / 483mm (19") PINK ACCENT 432mm (17") / 483mm (19")	DARK LIME 432mm (17") / 483mm (19") / 533mm (21") SHADOW GOLD 432mm (17") / 483mm (19") / 533mm (21")
<b>FORK</b>	SR Suntour NEX HLO 63mm, coil / Speed Lockout	SR Suntour NEX HLO 63mm, coil / Speed Lockout	SR Suntour NEX MLO 63mm, coil / Mechanical Lockout	SR Suntour NEX MLO 63mm, coil / Mechanical Lockout	SR Suntour NEX 63mm, coil spring
<b>HEAD PARTS</b>	KLS Expert integrated	KLS Expert integrated	KLS Expert integrated	KLS Expert integrated	KLS Expert integrated
<b>B.B.PARTS</b>	SR Suntour cartridge (113mm)	SR Suntour cartridge (113mm)	SR Suntour cartridge (122mm)	SR Suntour cartridge (122mm)	SR Suntour cartridge (122mm)
<b>CRANKSET</b>	SR Suntour XCM (48x36x26)	SR Suntour XCM (48x36x26)	SR Suntour NEX (48x38x28)	SR Suntour NEX (48x38x28)	SR Suntour XCC (48x38x28)
<b>SHIFTERS</b>	Shimano ST-EF65-9 EZ-fire Plus	Shimano ST-EF65-9 EZ-fire Plus	Shimano ST-EF65-8 EZ-fire Plus	Shimano ST-EF65-8 EZ-fire Plus	Shimano ST-EF51-8 EZ-fire Plus
<b>F/DERAILLEUR</b>	Shimano M191 (31.8mm)	Shimano M191 (31.8mm)	Shimano M191 (31.8mm)	Shimano M191 (31.8mm)	Shimano M191 (31.8mm)
<b>R/DERAILLEUR</b>	Shimano Acera M390	Shimano Acera M390	Shimano Acera M360	Shimano Acera M360	Shimano Altus M280
<b>SPEED</b>	27	27	24	24	24
<b>FREEWHEEL</b>	Shimano CS-HG20-9 (11-34)	Shimano CS-HG20-9 (11-34)	Shimano CS-HG31-8 (11-34)	Shimano CS-HG31-8 (11-34)	Shimano CS-HG31-8 (11-34)
<b>CHAIN</b>	KMC X9 (114 links)	KMC X9 (114 links)	KMC Z7 (114 links)	KMC Z7 (114 links)	KMC Z7 (114 links)
<b>BRAKES</b>	Alhonga V-brake	Alhonga V-brake	Alhonga V-brake	Alhonga V-brake	Alhonga V-brake
<b>BRAKE LEVERS</b>	Shimano ST-EF65-9 EZ-fire Plus	Shimano ST-EF65-9 EZ-fire Plus	Shimano ST-EF65-8 EZ-fire Plus	Shimano ST-EF65-8 EZ-fire Plus	Shimano ST-EF51-8 EZ-fire Plus
<b>BRAKE INNER WIRE</b>	Driving Force SCS (SlickCableSystem)	Driving Force SCS (SlickCableSystem)	Driving Force SCS (SlickCableSystem)	Driving Force SCS (SlickCableSystem)	Driving Force SCS (SlickCableSystem)
<b>HUBS</b>	alloy (32 holes)	alloy (32 holes)	alloy (32 holes)	alloy (32 holes)	alloy (32 holes)
<b>RIMS</b>	KLS Draft 622 x 19 (32 holes / eyelets)	KLS Draft 622 x 19 (32 holes / eyelets)	KLS Draft 622 x 19 (32 holes / eyelets)	KLS Draft 622 x 19 (32 holes / eyelets)	KLS Draft 622 x 19 (32 holes / eyelets)
<b>SPOKES</b>	stainless steel	stainless steel	U.C.P. steel	U.C.P. steel	U.C.P. steel
<b>TIRES</b>	Kellys Softline 40-622 (700 x 38C)	Kellys Softline 40-622 (700 x 38C)	Kellys Softline 40-622 (700 x 38C)	Kellys Softline 40-622 (700 x 38C)	Kellys Softline 40-622 (700 x 38C)
<b>STEM</b>	KLS Cross - adjustable (diam 28.6mm / bar bore 25.4mm)	KLS Cross - adjustable (diam 28.6mm / bar bore 25.4mm)	KLS Cross - adjustable (diam 28.6mm / bar bore 25.4mm)	KLS Cross - adjustable (diam 28.6mm / bar bore 25.4mm)	Kalloy Uno (diam 28.6mm / 15°)
<b>HANDLEBAR</b>	KLS Cross RiseBar (25.4mm)	KLS Cross RiseBar (25.4mm)	KLS Cross RiseBar (25.4mm)	KLS Cross RiseBar (25.4mm)	Kalloy Uno (25.4mm)
<b>GRIPS</b>	KLS Advancer 2Density	KLS Advancer 2Density	KLS Advancer 2Density	KLS Advancer 2Density	KLS Advancer 2Density
<b>SEAT POST</b>	KLS Expert (diam 27.2mm)	KLS Expert (diam 27.2mm)	KLS Expert (diam 27.2mm)	KLS Expert (diam 27.2mm)	Kalloy Uno (diam 27.2mm)
<b>SADDLE</b>	KLS CrossLine	KLS ComfortLine	KLS CrossLine	KLS ComfortLine	KLS CrossLine
<b>PEDALS</b>	VP NonSlip - alloy	VP NonSlip - alloy	VP NonSlip - alloy	VP NonSlip - alloy	VP NonSlip - plastic

Specifications are subject to change without notice.



**CROSS:** Kellys Crosslite 6061 alloy lady's

size	S/T (mm)	L (mm)	H/T (mm)	S/T angle	H/T angle	BB (mm)	RC (mm)	WB (mm)
430mm (17")	430	567	130	73°	70.5°	53.5	445	1064.0
480mm (19")	480	582.5	130	73°	70.5°	53.5	445	1079.5

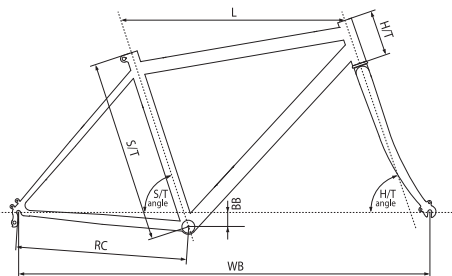
model: Clea 90, Clea 70, Clea 60, Clea 40, Clea 30, Clea 20



series  
**CROSS**

	CLEA 40	CLIFF 30	CLEA 30	CLIFF 20	CLEA 20
<b>FRAME</b>	Kellys Crosslite 6061 alloy lady's	Kellys Crosslite 6061 alloy	Kellys Crosslite 6061 alloy lady's	Kellys Crosslite 6061 alloy	Kellys Crosslite 6061 alloy lady's
<b>FRAME SIZE</b>	LIME 432mm (17") / 483mm (19") SHADOW GOLD 432mm (17") / 483mm (19")	GREEN ACCENT 432mm (17") / 483mm (19") / 533mm (21") RACE BLACK 432mm (17") / 483mm (19") / 533mm (21")	SUNRISE 432mm (17") / 483mm (19") RACE BLACK 432mm (17") / 483mm (19")	VAMP 432mm (17") / 483mm (19") / 533mm (21") TURQUOISE 432mm (17") / 483mm (19") / 533mm (21")	DARK LIME 432mm (17") / 483mm (19") SHADOW RED 432mm (17") / 483mm (19")
<b>FORK</b>	SR Suntour NEX 63mm, coil spring	SR Suntour NEX 63mm, coil spring	SR Suntour NEX 63mm, coil spring	SR Suntour M3010 50mm, coil spring	SR Suntour M3010 50mm, coil spring
<b>HEAD PARTS</b>	KLS Expert integrated	KLS Expert integrated	KLS Expert integrated	KLS Expert integrated	KLS Expert integrated
<b>B.B.PARTS</b>	SR Suntour cartridge (122mm)	SR Suntour cartridge (122mm)	SR Suntour cartridge (122mm)	VP cartridge (120mm)	VP cartridge (120mm)
<b>CRANKSET</b>	SR Suntour XCC (48x38x28)	SR Suntour XCC (48x38x28)	SR Suntour XCC (48x38x28)	Prowheel (42x34x24)	Prowheel (42x34x24)
<b>SHIFTERS</b>	Shimano ST-EF51-8 EZ-fire Plus	Shimano ST-EF51-7 EZ-fire Plus	Shimano ST-EF51-7 EZ-fire Plus	Shimano ST-EF51-7 EZ-fire Plus	Shimano ST-EF51-7 EZ-fire Plus
<b>F/DERAILLEUR</b>	Shimano M191 (31.8mm)	Shimano TX51 (31.8mm)	Shimano TX51 (31.8mm)	Shimano TY10 (31.8mm)	Shimano TY10 (31.8mm)
<b>R/DERAILLEUR</b>	Shimano Altus M280	Shimano Altus M280	Shimano Altus M280	Shimano TX35	Shimano TX35
<b>SPEED</b>	24	21	21	21	21
<b>FREEWHEEL</b>	Shimano CS-HG31-8 (11-34)	Shimano MF-TZ31-7 (14-34)	Shimano MF-TZ31-7 (14-34)	Shimano MF-TZ31-7 (14-34)	Shimano MF-TZ31-7 (14-34)
<b>CHAIN</b>	KMC Z7 (114 links)	KMC Z51 (114 links)	KMC Z51 (114 links)	KMC Z51 (112 links)	KMC Z51 (112 links)
<b>BRAKES</b>	Alhonga V-brake	Apse V-brake	Apse V-brake	Apse V-brake	Apse V-brake
<b>BRAKE LEVERS</b>	Shimano ST-EF51-8 EZ-fire Plus	Shimano ST-EF51-7 EZ-fire Plus	Shimano ST-EF51-7 EZ-fire Plus	Shimano ST-EF51-7 EZ-fire Plus	Shimano ST-EF51-7 EZ-fire Plus
<b>BRAKE INNER WIRE</b>	Driving Force SCS (SlickCableSystem)	Driving Force SCS (SlickCableSystem)	Driving Force SCS (SlickCableSystem)	Driving Force SCS (SlickCableSystem)	Driving Force SCS (SlickCableSystem)
<b>HUBS</b>	alloy (32 holes)	alloy (32 holes)	alloy (32 holes)	alloy (32 holes)	alloy (32 holes)
<b>RIMS</b>	KLS Draft 622 x 19 (32 holes / eyelets)	KLS Draft 622 x 19 (32 holes / eyelets)	KLS Draft 622 x 19 (32 holes / eyelets)	KLS Draft 622 x 19 (32 holes / eyelets)	KLS Draft 622 x 19 (32 holes / eyelets)
<b>SPOKES</b>	U.C.P. steel	U.C.P. steel	U.C.P. steel	U.C.P. steel	U.C.P. steel
<b>TIRES</b>	Kellys Softline 40-622 (700 x 38C)	Kellys Softline 40-622 (700 x 38C)	Kellys Softline 40-622 (700 x 38C)	Kellys Softline 40-622 (700 x 38C)	Kellys Softline 40-622 (700 x 38C)
<b>STEM</b>	Kalloy Uno (diam 28.6mm / 30°)	Kalloy Uno (diam 28.6mm / 15°)	Kalloy Uno (diam 28.6mm / 30°)	Kalloy Uno (diam 28.6mm / 15°)	Kalloy Uno (diam 28.6mm / 30°)
<b>HANDLEBAR</b>	Kalloy Uno (25.4mm)	Kalloy Uno (25.4mm)	Kalloy Uno (25.4mm)	steel RiseBar (diam 25.4mm)	steel RiseBar (diam 25.4mm)
<b>GRIPS</b>	KLS Advancer 2Density	KLS Advancer	KLS Advancer	KLS Advancer	KLS Advancer
<b>SEAT POST</b>	Kalloy Uno (diam 27.2mm)	Kalloy Uno (diam 27.2mm)	Kalloy Uno (diam 27.2mm)	steel (diam 27.2mm)	steel (diam 27.2mm)
<b>SADDLE</b>	KLS ComfortLine	KLS CrossLine	KLS ComfortLine	KLS CrossLine	KLS ComfortLine
<b>PEDALS</b>	VP NonSlip - plastic	VP NonSlip - plastic	VP NonSlip - plastic	plastic	plastic
<b>FRONT LIGHT</b>	-	-	-	-	-
<b>REAR LIGHT</b>	-	-	-	-	-
<b>FENDERS</b>	-	-	-	-	-
<b>ACCESSORIES</b>	-	-	-	-	-

Specifications are subject to change without notice.



**CROSS:** Kellys Crosslite 6061 alloy

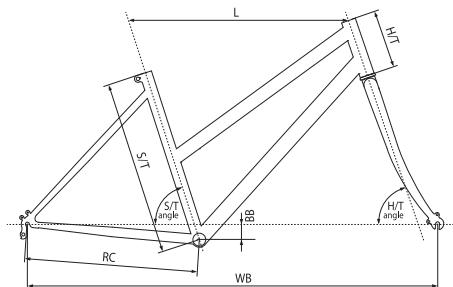
size	S/T (mm)	L (mm)	H/T (mm)	S/T angle	H/T angle	BB (mm)	RC (mm)	WB (mm)
480mm (19")	480	590	130	73°	70.5°	53.5	445	1088.9
530mm (21")	530	605	140	73°	70.5°	53.5	445	1102.8

model: Cliff 10

**CROSS:** Kellys Crosslite 6061 alloy lady's

size	S/T (mm)	L (mm)	H/T (mm)	S/T angle	H/T angle	BB (mm)	RC (mm)	WB (mm)
430mm (17")	430	567	130	73°	70.5°	53.5	445	1064.3
480mm (19")	480	582.5	130	73°	70.5°	53.5	445	1079.8

model: Clea 10





series  
**CROSS**

series  
**TOUR**

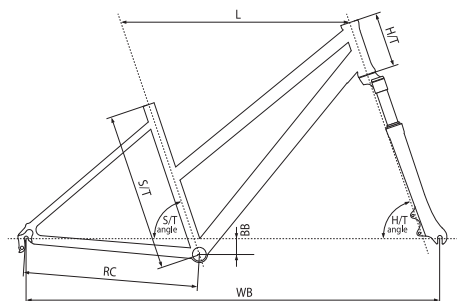
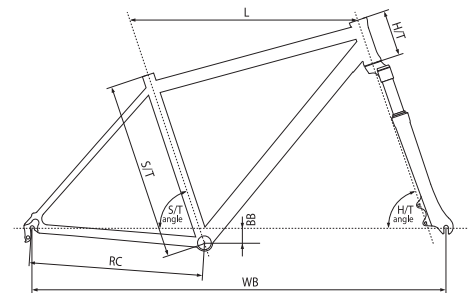
	TREKKING		TREKKING		
	CLIFF 10	CLEA 10	CARTER 70	CARTER 50	CRISTY 50
<b>FRAME</b>	Kellys Crosslite 6061 alloy	Kellys Crosslite 6061 alloy lady's	Aeroprofile alloy	Aeroprofile alloy	Aeroprofile alloy lady's
<b>FRAME SIZE</b>	483mm (19") / 533mm (21")	432mm (17") / 483mm (19")	483mm (19") / 533mm (21")	432mm (17") / 483mm (19") / 533mm (21") / 580mm (23")	432mm (17") / 483mm (19")
<b>FORK</b>	hi-ten unicrown	hi-ten unicrown	SR Suntour NEX MLO 63mm, coil / Mechanical Lockout (threaded steerer 28.6mm)	SR Suntour NEX 63mm, coil spring (threaded steerer 28.6mm)	SR Suntour NEX 63mm, coil spring (threaded steerer 28.6mm)
<b>HEAD PARTS</b>	VP	VP	TH semi-integrated (threaded)	TH semi-integrated (threaded)	TH semi-integrated (threaded)
<b>B.B.PARTS</b>	VP cartridge (120mm)	VP cartridge (120mm)	SR Suntour cartridge (113mm)	SR Suntour cartridge (122mm)	SR Suntour cartridge (122mm)
<b>CRANKSET</b>	Prowheel (42x34x24)	Prowheel (42x34x24)	SR Suntour XCM (48x36x26)	SR Suntour XCE (48x38x28)	SR Suntour XCE (48x38x28)
<b>SHIFTERS</b>	Shimano ST-EF51-7 EZ-fire Plus	Shimano ST-EF51-7 EZ-fire Plus	Shimano ST-EF65-9 EZ-fire Plus	Shimano ST-EF51-8 EZ-fire Plus	Shimano ST-EF51-8 EZ-fire Plus
<b>F/DERAILLEUR</b>	Shimano TY10 (31.8mm)	Shimano TY10 (31.8mm)	Shimano M191 (31.8mm)	Shimano M191 (31.8mm)	Shimano M191 (31.8mm)
<b>R/DERAILLEUR</b>	Shimano TX35	Shimano TX35	Shimano Alivio M430	Shimano Altus M310	Shimano Altus M310
<b>SPEED</b>	21	21	27	24	27
<b>FREEWHEEL</b>	Shimano MF-TZ31-7 (14-34)	Shimano MF-TZ31-7 (14-34)	Shimano CS-HG20-9 (11-34)	Shimano CS-HG31-8 (11-34)	Shimano CS-HG31-8 (11-34)
<b>CHAIN</b>	KMC Z51 (112 links)	KMC Z51 (112 links)	KMC X9 (114 links)	KMC Z7 (114 links)	KMC Z7 (114 links)
<b>BRAKES</b>	Apse V-brake	Apse V-brake	Tektro V-brake	Alhonga V-brake	Alhonga V-brake
<b>BRAKE LEVERS</b>	Shimano ST-EF51-7 EZ-fire Plus	Shimano ST-EF51-7 EZ-fire Plus	Shimano ST-EF65-9 EZ-fire Plus	Shimano ST-EF51-8 EZ-fire Plus	Shimano ST-EF51-8 EZ-fire Plus
<b>BRAKE INNER WIRE</b>	Driving Force SCS (SlickCableSystem)	Driving Force SCS (SlickCableSystem)	Driving Force SCS (SlickCableSystem)	Driving Force SCS (SlickCableSystem)	Driving Force SCS (SlickCableSystem)
<b>HUBS</b>	alloy (32 holes)	alloy (32 holes)	Shimano Dynamo 3N20 / Shimano RM30 (32 holes)	Shimano Dynamo 3N20 / alloy (32 holes)	Shimano Dynamo 3N20 / alloy (32 holes)
<b>RIMS</b>	KLS Draft 622 x 19 (32 holes / eyelets)	KLS Draft 622 x 19 (32 holes / eyelets)	KLS Draft 622 x 19 (32 holes / eyelets)	KLS Draft 622 x 19 (32 holes / eyelets)	KLS Draft 622 x 19 (32 holes / eyelets)
<b>SPOKES</b>	U.C.P. steel	U.C.P. steel	stainless steel	U.C.P. steel	U.C.P. steel
<b>TIRES</b>	Kellys Softline 40-622 (700 x 38C)	Kellys Softline 40-622 (700 x 38C)	Kellys Camp 40-622 (700 x 38C) ReflectiveLine	Kellys Camp 40-622 (700 x 38C) ReflectiveLine	Kellys Camp 40-622 (700 x 38C) ReflectiveLine
<b>STEM</b>	Kalloy Uno (diam 28.6mm / 15°)	Kalloy Uno (diam 28.6mm / 30°)	Kalloy Uno - adjustable (diam 25.4mm)	Kalloy Uno - adjustable (diam 25.4mm)	Kalloy Uno - adjustable (diam 25.4mm)
<b>HANDLEBAR</b>	steel RiseBar (diam 25.4mm)	steel RiseBar (diam 25.4mm)	U.C.P. steel	Kalloy RiseBar (diam 25.4mm)	Kalloy RiseBar (diam 25.4mm)
<b>GRIPS</b>	KLS Advancer	KLS Advancer	KLS 2Density ergonomic	KLS 2Density ergonomic	KLS 2Density ergonomic
<b>SEAT POST</b>	steel (diam 27.2mm)	steel (diam 27.2mm)	Kalloy Uno (diam 27.2mm)	steel (diam 27.2mm)	steel (diam 27.2mm)
<b>SADDLE</b>	KLS CrossLine	KLS ComfortLine	Selle Royal Lookin Men Visual Royalgel	KLS CrossLine	KLS CrossLine
<b>PEDALS</b>	plastic	plastic	VP NonSlip - alloy	VP NonSlip - plastic	VP NonSlip - plastic
<b>FRONT LIGHT</b>	-	-	Büchel Road Lite	Büchel Road Lite	Büchel Road Lite
<b>REAR LIGHT</b>	-	-	Büchel Champs Elysees LED	Büchel Champs Elysees LED	Büchel Champs Elysees LED
<b>FENDERS</b>	-	-	RPZ	RPZ	RPZ
<b>ACCESSORIES</b>	-	-	alloy carrier, kickstand, bell	alloy carrier, kickstand, bell	alloy carrier, kickstand, bell

Specifications are subject to change without notice.

**TOUR - TREKKING: Aeroprofile Aluminum 6061 alloy**

size	S/T (mm)	L (mm)	H/T (mm)	S/T angle	H/T angle	BB (mm)	RC (mm)	WB (mm)
432mm (17")	432	590	120	72°	71°	54.3	445	1069.6
483mm (19")	483	600	120	72°	71°	54.3	445	1079.6
533mm (21")	533	610	120	72°	71°	54.3	445	1089.5
580mm (23")	580	620	120	72°	71°	54.3	445	1099.6

model: Carter 70, Carter 50, Carter 30



**TOUR - TREKKING: Aeroprofile Aluminum 6061 alloy lady's**

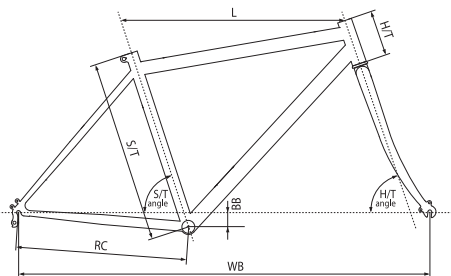
size	S/T (mm)	L (mm)	H/T (mm)	S/T angle	H/T angle	BB (mm)	RC (mm)	WB (mm)
432mm (17")	432	579.2	150	72°	71°	54.3	445	1059.4
483mm (19")	483	589.3	150	72°	71°	54.3	445	1069.4

model: Cristy 50, Cristy 30

series  
**TOUR**

	TREKKING				CITY
	CARTER 30	CRISTY 30	CARTER 10	CRISTY 10	AVENUE 90
<b>FRAME</b>	Aeroprofile alloy	Aeroprofile alloy lady's	hi-ten	hi-ten lady's	Aluminum alloy monotube 28"
<b>FRAME SIZE</b>	432mm (17") / 483mm (19") / 533mm (21")	432mm (17") / 483mm (19")	483mm (19") / 533mm (21")	432mm (17") / 483mm (19")	430mm / 480mm
<b>FORK</b>	SR Suntour M3010 50mm, coil spring (threaded steerer 28.6mm)	SR Suntour M3010 50mm, coil spring (threaded steerer 28.6mm)	hi-ten unicrown (threaded steerer 28.6mm)	hi-ten unicrown (threaded steerer 28.6mm)	SR Suntour CR-8V 50mm, coil spring (threaded steerer 28.6mm)
<b>HEAD PARTS</b>	TH semi-integrated (threaded)	TH semi-integrated (threaded)	VP (threaded)	VP (threaded)	TH semi-integrated
<b>B.B.PARTS</b>	SR Suntour cartridge (122mm)	SR Suntour cartridge (122mm)	SR Suntour cartridge (122mm)	SR Suntour cartridge (122mm)	VP cartridge (118mm)
<b>CRANKSET</b>	SR Suntour XCE (48x38x28)	SR Suntour XCE (48x38x28)	SR Suntour XCC (48x38x28)	SR Suntour XCC (48x38x28)	Prowheel
<b>SHIFTERS</b>	Shimano SL-RS35-7 Revoshift	Shimano SL-RS35-7 Revoshift	Shimano SL-RS35-7 Revoshift	Shimano SL-RS35-7 Revoshift	Shimano Nexus SL-7S20 Revoshift
<b>F/DERAILLEUR</b>	Shimano M191 (31.8mm)	Shimano M191 (31.8mm)	Shimano TZ31 (31.8mm)	Shimano TZ31 (31.8mm)	-
<b>R/DERAILLEUR</b>	Shimano Altus M280	Shimano Altus M280	Shimano TX35	Shimano TX35	-
<b>SPEED</b>	21	21	21	21	7
<b>FREEWHEEL</b>	Shimano MF-TZ31-7 (14-34)	Shimano MF-TZ31-7 (14-34)	Shimano MF-TZ31-7 (14-34)	Shimano MF-TZ31-7 (14-34)	Shimano for internal hub 21T
<b>CHAIN</b>	KMC Z51 (116 links)	KMC Z51 (116 links)	KMC Z51 (116 links)	KMC Z51 (116 links)	KMC Z33 (102 links)
<b>BRAKES</b>	Alhonga V-brake	Alhonga V-brake	Alhonga V-brake	Alhonga V-brake	Alhonga V-brake / Shimano coaster brake
<b>BRAKE LEVERS</b>	Alhonga	Alhonga	Alhonga	Alhonga	Tektro
<b>BRAKE INNER WIRE</b>	Driving Force SCS (SlickCableSystem)	Driving Force SCS (SlickCableSystem)	Driving Force SCS (SlickCableSystem)	Driving Force SCS (SlickCableSystem)	Driving Force SCS (SlickCableSystem)
<b>HUBS</b>	Shimano Dynamo 3N20 / alloy (32 holes)	Shimano Dynamo 3N20 / alloy (32 holes)	alloy (32 holes)	alloy (32 holes)	Shimano Dynamo 3N20 / Shimano Nexus 7C30 (36 holes)
<b>RIMS</b>	KLS Draft 622 x 19 (32 holes / eyelets)	KLS Draft 622 x 19 (32 holes / eyelets)	KLS Draft 622 x 19 (32 holes)	KLS Draft 622 x 19 (32 holes)	KLS Draft 622 x 19 (36 holes / eyelets)
<b>SPOKES</b>	U.C.P. steel	U.C.P. steel	U.C.P. steel	U.C.P. steel	U.C.P. steel
<b>TIRES</b>	Kellys Camp 40-622 (700 x 38C) ReflectiveLine	Kellys Camp 40-622 (700 x 38C) ReflectiveLine	Kellys Camp 40-622 (700 x 38C) ReflectiveLine	Kellys Camp 40-622 (700 x 38C) ReflectiveLine	Rubena Flash 47-622 (28 x 1.75) ReflectiveLine
<b>STEM</b>	Kalloy Uno - adjustable (diam 25.4mm)	Kalloy Uno - adjustable (diam 25.4mm)	steel (diam 25.4mm)	steel (diam 25.4mm)	Kalloy - adjustable (diam 25.4mm)
<b>HANDLEBAR</b>	steel RiseBar (diam 25.4mm)	steel RiseBar (diam 25.4mm)	steel RiseBar (diam 25.4mm)	steel RiseBar (diam 25.4mm)	alloy RiseBar (diam 25.4mm)
<b>GRIPS</b>	kraton 2Density	kraton 2Density	kraton 2Density	kraton 2Density	KLS 2Density ergonomic
<b>SEAT POST</b>	steel (diam 27.2mm)	steel (diam 27.2mm)	steel (diam 27.2mm)	steel (diam 27.2mm)	Kalloy Uno (diam 27.2mm)
<b>SADDLE</b>	KLS CrossLine	KLS ComfortLine	KLS CrossLine	KLS ComfortLine	Selle Royal Freedom Royalgel
<b>PEDALS</b>	VP NonSlip - plastic	VP NonSlip - plastic	VP NonSlip - plastic	VP NonSlip - plastic	VP NonSlip - alloy
<b>REAR SHOCK</b>	Büchel Road Lite	Büchel Road Lite	Büchel Road Lite	Büchel Road Lite	Büchel Road Lite
<b>REAR LIGHT</b>	Büchel Champs Elysees LED	Büchel Champs Elysees LED	Büchel Champs Elysees LED	Büchel Champs Elysees LED	Büchel Champs Elysees LED
<b>FENDERS</b>	RPZ	RPZ	RPZ	RPZ	RPZ
<b>ACCESSORIES</b>	alloy carrier, kickstand, bell	alloy carrier, kickstand, bell	dynamo set, alloy carrier, kickstand, bell	dynamo set, alloy carrier, kickstand, bell	alloy carrier, kickstand, bell

Specifications are subject to change without notice.



**TOUR - TREKKING: hi-ten**

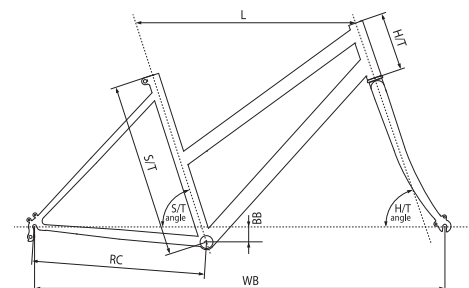
size	S/T (mm)	L (mm)	H/T (mm)	S/T angle	H/T angle	BB (mm)	RC (mm)	WB (mm)
480mm (19")	480	590	120	72°	71°	39	450	1083.1
530mm (21")	530	605	120	72°	71°	39	450	1098.1

model: Carter 10

**TOUR - TREKKING: hi-ten lady's**

size	S/T (mm)	L (mm)	H/T (mm)	S/T angle	H/T angle	BB (mm)	RC (mm)	WB (mm)
430mm (17")	430	573.5	150	72°	71°	39	450	1067.1
480mm (19")	480	583.5	150	72°	71°	39	450	1077.1

model: Cristy 10





series  
**TOUR**

	CITY				
	AVENUE 70	AVENUE 50	AVENUE 30	AVENUE 20	AVENUE 10
<b>FRAME</b>	Aluminum alloy monotube 28"	Aluminum alloy monotube 28"	Aluminum alloy monotube 26"	Aluminum alloy monotube 28"	Aluminum alloy monotube 26"
<b>FRAME SIZE</b>	430mm / 480mm	430mm / 480mm	430mm	430mm / 480mm	430mm
<b>FORK</b>	SR Suntour CR-8V 50mm, coil spring (threaded steerer 28.6mm)	hi-ten unicrown (threaded steerer 28.6mm)	hi-ten unicrown (threaded steerer 28.6mm)	hi-ten unicrown (threaded steerer 28.6mm)	hi-ten unicrown (threaded steerer 28.6mm)
<b>HEAD PARTS</b>	TH semi-integrated	TH semi-integrated	TH semi-integrated	TH semi-integrated	TH semi-integrated
<b>B.B.PARTS</b>	VP cartridge (118mm)	VP cartridge (118mm)	VP cartridge (118mm)	VP cartridge (118mm)	VP cartridge (118mm)
<b>CRANKSET</b>	Shimano M131 (48x38x28)	Prowheel	Prowheel	Prowheel	Prowheel
<b>SHIFTERS</b>	Shimano ST-EF51-8 EZ-fire Plus	Shimano Nexus SL-3S42E Revoshift	Shimano Nexus SL-3S41E Revoshift	Shimano Nexus SL-3S42E Revoshift	Shimano Nexus SL-3S41E Revoshift
<b>F/DERAILLEUR</b>	Shimano M191 (31.8mm)	-	-	-	-
<b>R/DERAILLEUR</b>	Shimano Altus (14) M370	-	-	-	-
<b>SPEED</b>	24	3	3	3	3
<b>FREEWHEEL</b>	Shimano CS-HG31-8 (11-34)	Shimano for internal hub 21T	Shimano for internal hub 20T	Shimano for internal hub 21T	Shimano for internal hub 20T
<b>CHAIN</b>	KMC Z7 (116 links)	KMC Z33 (102 links)	KMC Z33 (98 links)	KMC Z33 (102 links)	KMC Z33 (98 links)
<b>BRAKES</b>	Tektro V-brake	Alhonga V-brake / Shimano coaster brake	Alhonga V-brake / Shimano coaster brake	Alhonga V-brake / Shimano coaster brake	Alhonga V-brake / Shimano coaster brake
<b>BRAKE LEVERS</b>	Shimano ST-EF51-8 EZ-fire Plus	Tektro	Tektro	Tektro	Tektro
<b>BRAKE INNER WIRE</b>	Driving Force SCS (SlickCableSystem)	Driving Force SCS (SlickCableSystem)	Driving Force SCS (SlickCableSystem)	Driving Force SCS (SlickCableSystem)	Driving Force SCS (SlickCableSystem)
<b>HUBS</b>	Shimano Dynamo 3N20 / alloy (32 holes)	Shimano Dynamo 3N20 / Shimano Nexus 3C41 Inter-3 (36 holes)	Shimano Dynamo 3N20 / Shimano Nexus 3C41 Inter-3 (36 holes)	alloy / Shimano Nexus 3C41 Inter-3 (36 holes)	alloy / Shimano Nexus 3C41 Inter-3 (36 holes)
<b>RIMS</b>	KLS Draft 622 x 19 (32 holes / eyelets)	Kellys City 622 x 19 (36 holes)	Kellys City 559 x 19 (36 holes)	Kellys City 622 x 19 (36 holes)	Kellys City 559 x 19 (36 holes)
<b>SPOKES</b>	stainless steel	U.C.P. steel	U.C.P. steel	U.C.P. steel	U.C.P. steel
<b>TIRES</b>	Rubena Flash 47-622 (28 x 1.75) ReflectiveLine	Rubena Flash 47-622 (28 x 1.75) ReflectiveLine	Rubena Cobra 50-559 (26 x 1.90)	Rubena Flash 47-622 (28 x 1.75) ReflectiveLine	Rubena Cobra 50-559 (26 x 1.90)
<b>STEM</b>	Kalloy - adjustable (diam 25.4mm)	Kalloy - adjustable (diam 25.4mm)	Kalloy - adjustable (diam 25.4mm)	Zoom (diam 25.4mm / 25°)	Zoom (diam 25.4mm / 25°)
<b>HANDLEBAR</b>	alloy RiseBar (diam 25.4mm)	alloy RiseBar (diam 25.4mm)	steel RiseBar (diam 25.4mm)	alloy RiseBar (diam 25.4mm)	steel RiseBar (diam 25.4mm)
<b>GRIPS</b>	KLS 2Density ergonomic	KLS 2Density ergonomic	KLS 2Density ergonomic	KLS 2Density ergonomic	2Density ergonomic
<b>SEAT POST</b>	Kalloy Uno (diam 27.2mm)	Kalloy Uno (diam 27.2mm)	Kalloy Uno (diam 27.2mm)	Kalloy Uno (diam 27.2mm)	Kalloy Uno (diam 27.2mm)
<b>SADDLE</b>	Selle Royal Freedom Royalgel	Selle Royal Freedom Royalgel	Selle Royal Freedom Royalgel	Selle Royal Freedom Royalgel	Selle Royal Freedom Royalgel
<b>PEDALS</b>	VP NonSlip - alloy	VP NonSlip - plastic	VP NonSlip - plastic	VP NonSlip - plastic	VP NonSlip - plastic
<b>REAR SHOCK</b>	Büchel Road Lite	Büchel Road Lite	Büchel Road Lite	Büchel Road Lite	Büchel Road Lite
<b>REAR LIGHT</b>	Büchel Champs Elysees LED	Büchel Champs Elysees LED	Büchel Champs Elysees LED	Büchel Champs Elysees LED	Büchel Champs Elysees LED
<b>FENDERS</b>	RPZ	RPZ	RPZ	RPZ	RPZ
<b>ACCESSORIES</b>	alloy carrier, kickstand, bell	alloy carrier, kickstand, bell	alloy carrier, kickstand, bell	dynamo set, alloy carrier, kickstand, bell	dynamo set, alloy carrier, kickstand, bell

Specifications are subject to change without notice.

**TOUR - CITY: Aluminum alloy monotube 28"**

size	S/T (mm)	L (mm)	H/T (mm)	S/T angle	H/T angle	BB (mm)	RC (mm)	WB (mm)
430mm	430	606.8	165	70°	71°	55	455	1074.2
480mm	480	631.8	190	68.5°	71°	55	455	1079.3

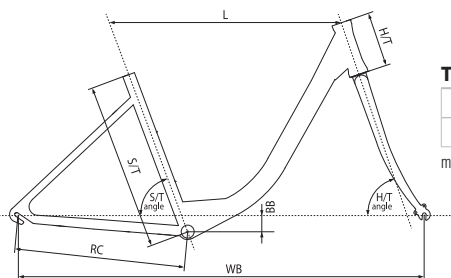
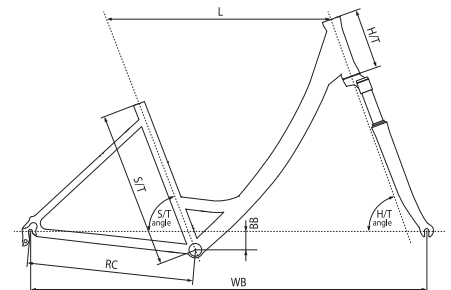
model: Avenue 90

size	S/T (mm)	L (mm)	H/T (mm)	S/T angle	H/T angle	BB (mm)	RC (mm)	WB (mm)
430mm	430	613	165	69.5°	71°	55	455	1074.2
480mm	480	618.7	190	69.5°	71°	55	455	1079.3

model: Avenue 70

size	S/T (mm)	L (mm)	H/T (mm)	S/T angle	H/T angle	BB (mm)	RC (mm)	WB (mm)
430mm	430	605.8	165	70°	71°	55	455	1074.2
480mm	480	630	190	68.5°	71°	55	455	1079.3

model: Avenue 50, Avenue 20



**TOUR - CITY: Aluminum alloy monotube 26"**

size	S/T (mm)	L (mm)	H/T (mm)	S/T angle	H/T angle	BB (mm)	RC (mm)	WB (mm)
430mm	432	599.4	140	69.5°	71°	35	430	1047.6

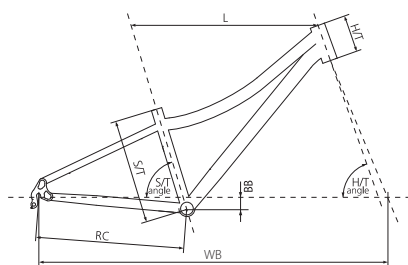
model: Avenue 30, Avenue 10



series  
**JUNIOR**

	MARC 1	MARC 2	MARC 3	MARC 4	MARC 5
<b>FRAME</b>	Kellys Hydroforming Aluminum alloy 3ple butted MTB 24"	Kellys Aluminum alloy MTB 24"	Kellys Aluminum alloy MTB 24"	Kellys Aluminum alloy MTB 20"	Kellys Aluminum alloy BMX 20"
<b>FRAME SIZE</b>	320mm (12.5")	280mm (11")	280mm (11")	255mm (10")	255mm (10")
<b>FORK</b>	RST Capa ML 50mm, coil / MCU / Mechanical Lockout	RST Capa T8 50mm, coil / MCU	hi-ten unicrown (steerer 28.6mm)	RST Capa T20 50mm, coil spring	BMX hi-ten unicrown (steerer 28.6mm)
<b>HEAD PARTS</b>	VP	VP	VP	VP	VP
<b>B.B.PARTS</b>	SR Suntour cartridge (118mm)	VP cartridge (120mm)	VP cartridge (118mm)	VP cartridge (115mm)	VP cartridge (126mm)
<b>CRANKSET</b>	SR Suntour XCT (42x32x22)	Prowheel (42x34x24)	Prowheel (42x34x24)	Prowheel (36T chainwheel)	Prowheel
<b>SHIFTERS</b>	Shimano SL-M310 Rapidfire Plus	Shimano SL-RS36-7 Revoshift	Shimano SL-RS35-6 Revoshift	Shimano SL-RS35-6 Revoshift	-
<b>F/DERAILLEUR</b>	Shimano Altus M311 (31.8mm)	Shimano M190 (31.8mm)	Shimano TZ20 (31.8mm)	-	-
<b>R/DERAILLEUR</b>	Shimano Acera M360	Shimano Acera M360	Shimano TZ50	Shimano FT30	-
<b>SPEED</b>	24	21	18	6	1
<b>FREEWHEEL</b>	Shimano CS-HG31-8 (11-32)	Shimano MF-TZ31 (14-34)	Shimano MF-TZ20-6 (14-28)	Shimano MF-TZ20-6 (14-28)	single 18T sprocket
<b>CHAIN</b>	KMC Z7 (102 links)	KMC Z51 (104 links)	KMC Z51 (102 links)	KMC Z51 (96 links)	KMC Z510 (84 links)
<b>BRAKES</b>	Tektro V-brake	Apse V-brake	Apse V-brake	Apse V-brake	Apse V-brake / coaster brake
<b>BRAKE LEVERS</b>	Tektro	Tektro	Tektro	Tektro	Apse
<b>BRAKE INNER WIRE</b>	Driving Force SCS (SlickCableSystem)	Driving Force SCS (SlickCableSystem)	Driving Force SCS (SlickCableSystem)	Driving Force SCS (SlickCableSystem)	Driving Force SCS (SlickCableSystem)
<b>HUBS</b>	alloy / Shimano RM30 (32 holes)	alloy (32 holes)	alloy (36 holes)	alloy (28 holes)	alloy / coaster brake hub (28 holes)
<b>RIMS</b>	KLS Draft 507 x 19 (32 holes)	KLS Draft 507 x 19 (32 holes)	Kellys Wasper 507 x 19 (36 holes)	Remerx RMX 21 406 x 21 (28 holes)	Remerx RMX 21 406 x 21 (28 holes)
<b>SPOKES</b>	U.C.P. steel	U.C.P. steel	U.C.P. steel	U.C.P. steel	U.C.P. steel
<b>TIRES</b>	CST 53-507 (24 x 1.95)	Rubena Winner 50-507 (24 x 1.90)	Rubena Winner 50-507 (24 x 1.90)	Rubena Winner 50-406 (20 x 1.90)	Rubena Bicross 47-406 (20 x 1.75 x 2)
<b>STEM</b>	Kalloy (diam 28.6mm)	Kalloy (diam 28.6mm)	Kalloy (diam 28.6mm)	Kalloy (diam 28.6mm)	Promax BMX (diam 28.6mm)
<b>HANDLEBAR</b>	steel RiseBar (diam 25.4mm)	steel RiseBar (diam 25.4mm)	steel RiseBar (diam 25.4mm)	steel RiseBar (diam 25.4mm)	BMX steel (diam 22.2mm)
<b>GRIPS</b>	kraton 2Density	kraton 2Density	kraton 2Density	kraton	kraton
<b>SEAT POST</b>	KLS Expert (diam 27.2mm)	KLS Expert (diam 27.2mm)	KLS Expert (diam 27.2mm)	KLS Expert (diam 27.2mm)	Kalloy (diam 27.2mm)
<b>SADDLE</b>	KLS DriveLine Junior	Kellys Marc	Kellys Marc	Kellys Marc	KLS DriveLine Junior
<b>PEDALS</b>	VP plastic / steel	plastic	plastic	BMX plastic	BMX plastic
<b>FENDERS</b>	-	-	-	-	-
<b>ACCESSORIES</b>	-	-	-	-	h/bar & stem pads

Specifications are subject to change without notice.



**JUNIOR: boy's**

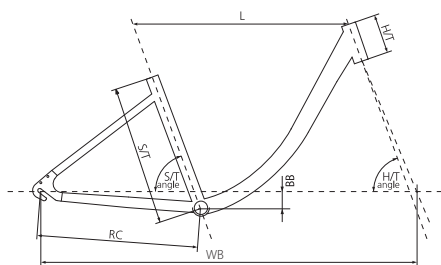
model	size	S/T (mm)	L (mm)	H/T (mm)	S/T angle	H/T angle	BB (mm)	RC (mm)	WB (mm)
MARC1	320mm (12.5")	318	500	90	73°	70°	35	400	954.3
MARC2	280mm (11")	279	500	100	73°	70°	35	400	954.8
MARC3	280mm (11")	279	500	100	73°	70°	35	400	961.3
MARC4	255mm (10")	254	470.5	100	73°	70°	5	370	908.8
MARC5	255mm (10")	254	450	80	73°	70°	5	370	877.5
MARC6	235mm (9.5")	235	360	80	73°	70°	5	310	714.1



series  
**JUNIOR**

	MARC 6	MAGGIE	MIA	CINDY	EMMA
<b>FRAME</b>	Kellys Aluminum alloy MTB 16"	Kellys Aluminum alloy monotube 24"	Kellys Aluminum alloy monotube 24"	Kellys Aluminum alloy monotube 20"	Kellys Aluminum alloy monotube 16"
<b>FRAME SIZE</b>	235mm (9.5")	355mm	355mm	295mm	240mm
<b>FORK</b>	hi-ten unicrown (steerer 28.6mm)	hi-ten unicrown (threaded steerer 25.4mm)	hi-ten unicrown (threaded steerer 25.4mm)	hi-ten unicrown (threaded steerer 25.4mm)	hi-ten unicrown (threaded steerer 25.4mm)
<b>HEAD PARTS</b>	VP	TH	TH	TH	TH
<b>B.B.PARTS</b>	axle 120mm	VP cartridge (118mm)	VP cartridge (118mm)	VP cartridge (118mm)	axle 120mm
<b>CRANKSET</b>	steel (28T chainwheel)	Prowheel (38T chainwheel)	Prowheel (38T chainwheel)	Prowheel (36T chainwheel)	steel (28T chainwheel)
<b>SHIFTERS</b>	-	Shimano Nexus SL-3S41E Revoshift	Shimano SL-RS35-6 Revoshift	-	-
<b>F/DERAILLEUR</b>	-	-	-	-	-
<b>R/DERAILLEUR</b>	-	-	Shimano TZ50	-	-
<b>SPEED</b>	1	3	6	1	1
<b>FREEWHEEL</b>	single 18T sprocket	Shimano for internal hub 20T	Shimano MF-TZ20-6 (14-28)	single 18T sprocket	single 18T sprocket
<b>CHAIN</b>	KMC Z510 (72 links)	KMC Z33 (94 links)	KMC Z33 (102 links)	KMC Z510 (84 links)	KMC Z510 (74 links)
<b>BRAKES</b>	Apse V-brake / coaster brake	Tektro V-brake / Shimano coaster brake	Tektro V-brake	Tektro V-brake / coaster brake	Apse V-brake / coaster brake
<b>BRAKE LEVERS</b>	Apse	Tektro	Tektro	Tektro	Apse
<b>BRAKE INNER WIRE</b>	Driving Force SCS (SlickCableSystem)	Driving Force SCS (SlickCableSystem)	Driving Force SCS (SlickCableSystem)	Driving Force SCS (SlickCableSystem)	Driving Force SCS (SlickCableSystem)
<b>HUBS</b>	steel / coaster brake hub (20 holes)	alloy / Shimano Nexus 3C41 Inter-3 (36 holes)	alloy (36 holes)	alloy / coaster brake (28 holes)	steel / coaster brake hub (20 holes)
<b>RIMS</b>	Remerx RMX 20 305 x 20 (20 holes)	Kellys Waspert 507 x 19 (36 holes)	Kellys Waspert 507 x 19 (36 holes)	Remerx RMX 21 406 x 21 (28 holes)	Remerx RMX 20 305 x 20 (20 holes)
<b>SPOKES</b>	U.C.P. steel	U.C.P. steel	U.C.P. steel	U.C.P. steel	U.C.P. steel
<b>TIRES</b>	Rubena Winner 47-305 (16 x 1.75 x 2)	Rubena Walrus 47-507 (24 x 1.75 x 2) ReflectiveLine	Rubena Walrus 47-507 (24 x 1.75 x 2)	Rubena Walrus 47-406 (20 x 1.75 x 2)	Rubena Walrus 47-305 (16 x 1.75 x 2)
<b>STEM</b>	Promax (diam 28.6mm)	alloy (diam 22.2mm / 30°)	alloy (diam 22.2mm / 30°)	alloy (diam 22.2mm / 30°)	alloy (diam 22.2mm / 30°)
<b>HANDLEBAR</b>	BMX steel (diam 22.2mm)	steel (diam 25.4mm)	steel (diam 25.4mm)	steel (diam 25.4mm)	steel (diam 25.4mm)
<b>GRIPS</b>	kraton 2Density	3Density ergonomic	3Density ergonomic	3Density ergonomic	kraton
<b>SEAT POST</b>	Kalloy (diam 25.4mm)	Kalloy (diam 27.2mm)	Kalloy (diam 27.2mm)	Kalloy (diam 27.2mm)	Kalloy (diam 27.2mm)
<b>SADDLE</b>	Kellys Marc	KLS DriveLine Junior	KLS DriveLine Junior	KLS DriveLine Junior	Kellys
<b>PEDALS</b>	BMX plastic	NonSlip - plastic	NonSlip - plastic	NonSlip - plastic	BMX plastic
<b>FENDERS</b>	plastic	RPZ	RPZ	RPZ	plastic
<b>ACCESSORIES</b>	h/bar & stem pads, training wheels	kickstand, bell	kickstand, bell	kickstand, bell	training wheels, bell

Specifications are subject to change without notice.



**JUNIOR: girl's**

model	size	S/T (mm)	L (mm)	H/T (mm)	S/T angle	H/T angle	BB (mm)	RC (mm)	WB (mm)
MAGGIE	355mm	355	550	100	69.5°	71°	35	400	970.4
MIA	355mm	355	550	100	69.5°	71°	35	400	970.4
CINDY	295mm	295	470	100	69.5°	71°	15	356	856.5
EMMA	240mm	240	400	100	69.8°	71°	10	320	763.2



## AUSTRIA

**KELLYS BICYCLES s.r.o.**  
SLNECNA CESTA 374  
922 01 VELKE ORVISTE  
tel.: +421 333 213 111  
fax: +421 333 213 199  
e-mail: infoat@kellysbike.com

## BELARUS

**VELLOLIMP**  
MOSCOW, UL. ELEKTRODNAYA, DOM 2  
tel./fax: +7 (495) 788 19 52  
e-mail: info@veloolimp.ru  
www.veloolimp.ru

## BOSNIA AND HERZEGOVINA

**BOCA D.O.O.**  
NOVACI bb PC-96  
72250 VITEZ  
tel./fax: +387 30 710 820  
e-mail: info@bocavitez.com

## CROATIA

**L. K. D. D.O.O. KUTINA**  
A.G. MATOSA 12  
KUTINA  
tel. / fax: +385 (0)44 683 504  
e-mail: mbjelajac@inet.hr  
www.bikeshop.hr

## CYPRUS

**TASOS ALETRAS Ltd.**  
266 TSERIOU AVENUE  
2044 NICOSIA STROVOLOS  
tel.: +35 722 321015  
fax: +35 722 321731  
e-mail: info@aletras-megabike.com  
www.aletras-megabike.com

## CZECH REPUBLIC

**KELLYS BICYCLES CZECH REPUBLIC s.r.o.**  
HAVLÍČKOVA 426  
753 01 HRANICE  
tel.: +420 581 698 810  
e-mail: infocz@kellysbike.com

## ESTONIA

**VELOPLUS**  
SAKU 3  
11314 TALLINN  
tel.: +372 6 556 977  
fax: +372 6 556 308  
e-mail: veloplus@veloplus.ee  
www.veloplus.ee

## FRANCE

**CYCLES CHRISTOPHA**  
100, RUE DE L' ILE NAPOLEON  
681 70 RIXHEIM  
tel.: +33 (0)389619708  
fax: +33 (0)389618719

## GERMANY

**KELLYS BICYCLES DEUTSCHLAND**  
AM WALDBERG 15  
12683 BERLIN  
tel.: +49 (0)30 510 61 837  
fax: +49 (0)30 510 61 838  
e-mail: kellysdeutschland@kellysbike.com

## GREECE

**M BIKES SPORTS ON WHEELS**  
THESSALONIKI, P.SYNDIKA 59  
tel.: +30 2310 886 545  
fax: +30 2310 886 546  
e-mail: mbikes@mbikes.gr  
www.mbikes.gr

## HUNGARY

**KELLYS BICYCLES s.r.o.**  
SLNECNA CESTA 374  
922 01 VELKE ORVISTE  
tel.: +36 20 9755 732  
fax: +421 333 213 199  
e-mail: infohu@kellysbike.com

## IRELAND

**A.B. CYCLE FACTORS Ltd.**  
14A SOUTH SUMMER STREET  
DUBLIN 8  
tel.: +353 1 4532777  
fax: +353 1 4544793  
email: abcycles@eircom.net

## ISRAEL

**MNM BIKE Ltd.**  
DAFNA 1539 STREET, P.O.B 303  
99875 ZUR-HADASSA  
ISRAEL  
tel: 972 54 224 22 54  
e-mail: sales@mnm-bikes.com

## ITALY

**ARC EN CIEL SRL**  
C.SO BRUNELLESCHI 81  
10141 TORINO  
ITALY  
tel.: +39 348 316 04 03  
page: www.arcenciel.it  
e-mail: info@arcenciel.it

## KAZAKHSTAN

**VELLOLIMP**  
MOSCOW, UL. ELEKTRODNAYA, DOM 2  
tel./fax: +7 (495) 788 19 52  
e-mail: info@veloolimp.ru  
www.veloolimp.ru

## LATVIA

**MULTISPORT Lda.**  
GAROZES 1  
LV-1004 RIGA  
tel.: +371 762 6025  
fax: +371 789 2053  
e-mail: jurism@fans.lv

## LITHUANIA

**UAB POSITUS**  
MYBIKE  
BALTU AVE.13  
LT-48236, LITHUANIA  
tel./fax: +370 3735 00 95  
e-mail: info@positus.lt  
www.positus.lt

## NORWAY

**TEMPO AS**  
TORVLIA 14  
1739 BORGENHAUGEN  
tel: +47 69 100 570  
fax: +47 69 166 252  
e-mail: john@tempoas.no  
www.tempoas.no

## POLAND

**KELLYS Sp. z o.o.**  
UL. MŁYNSKA 11  
55-200 OŁAWA  
tel.: +48 71 318 88 77  
fax: +48 71 318 88 99  
e-mail: infopl@kellysbike.com

## PORTUGAL

**ALEXANDRE DIAS Lda**  
AV. VILLAGARCIA DE AROSA, 1060  
4450-300 MATOSINHOS  
tel.: +351 229 398 990  
fax: +351 229 398 993  
e-mail: alex.dias@mail.telepac.pt  
www.alexandredias.net

## ROMANIA

**BICISHOP EXTREM SRL**  
CAL. GIULESTI Nr.551A, ET. MANS, AP. CAMERA 3  
050182 MUNICIPIUL BUCURESTI, SECTOR 6  
tel.: 0726 / 66 38 77  
e-mail: shop@bicishop.ro  
www.bicishop.ro

## RUSSIA

**VELLOLIMP**  
MOSCOW, UL. ELEKTRODNAYA, DOM 2  
tel./fax: +7 (495) 788 19 52  
e-mail: info@veloolimp.ru  
www.veloolimp.ru

## SERBIA

**NEOBIKE D.O.O.**  
TOLSTOJEVA 14  
210 00 NOVI SAD  
tel.: +381 21 542 216  
fax: +381 21 542 217  
e-mail: neobike@ptt.yu  
www.neobike.co.yu

## SLOVAKIA

**KELLYS BICYCLES s.r.o.**  
SLNEČNÁ CESTA 374  
922 01 VELKÉ ORVISTE  
tel.: +421 333 213 111  
fax: +421 333 213 199  
e-mail: infosk@kellysbike.com

## SWEDEN

**JAMTLANDS CYKELFABRIK**  
KYRGATAN 27  
S-83131 ÖSTERSUND  
tel./fax: +46 63 12 72 22  
e-mail: info@jamtlandscykelfabrik.se

## SWITZERLAND / LIECHTENSTEIN

**FLAIKA AG**  
OBERGASS 24 / PF 203  
FL-9494 SCHAAN  
LIECHTENSTEIN  
tel.: +41 79 419 92 44  
fax: +41 81 756 66 66  
e-mail: rene.osterhues@flaika.li  
www.kellysbike.ch

## TAIWAN

**UNI-VICTOR INT'L CORP.**  
NO. 1, RENHUAGONG 10TH RD., DALI DIST.,  
TAICHUNG 41278  
TAIWAN  
tel.: +886 4 249 16 008  
fax: +886 4 249 16 007  
e-mail: infotw@kellysbike.com

## TURKEY

**YASMIN TEKSTIL SAN. VE DIS TICARET A.S.**  
OTAKÇILAR CADDESSI No: 60, EYÜP  
34050 ISTAMBUL  
tel.: +90 212 5765622  
fax: +90 212 5671991  
e-mail: izzet@yasmingsports.com  
www.yasmingsports.com

## UKRAINE

**VELOKIEV GROUP**  
3-A, KOMBAYNEROV STR.  
03061 KIEV  
tel./fax: +380 44 331 9050  
e-mail: admin@kellys.com.ua  
www.kellys.com.ua



See you next season...

**RIDE  
YOUR  
LIFE**



**CATALOGUE  
SEASON 2014**

**RIDE  
YOUR  
LIFE**

